

458 SOCOM

Test Specifications:

Firearm Used: Universal

Barrel Length: 24"

Twist: 1-14"

Components:

Case: Starline

Trim-to Length: 1.575"

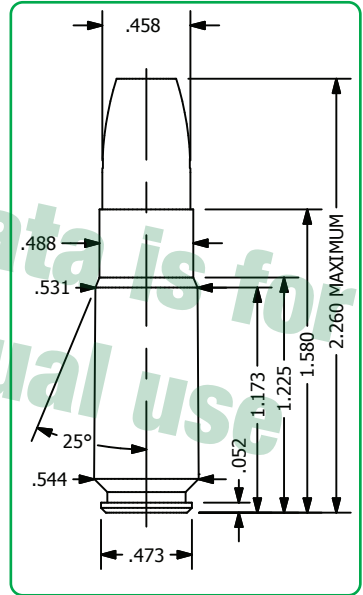
Primer: WLP

Remarks:


The .458 SOCOM (11.63x40mm), for Special Operations COMmand, came about while seeking to develop a round that could produce one-shot stopping power. Marty ter Weeme, founder of Teppo Jutsu, L.L.C., is the designer of the new cartridge.

The .458 SOCOM is designed to produce light 45-70 Government load results from the lightweight and controllable AR15 platform. Capable of using bullet weights from 250 all the way to 600 grains reliably. In fact standard 5.56 magazines feed the round flawlessly. A 20 round GI magazine will accept 7 rounds while a 30 round magazine will accommodate 10 rounds. The 458 SOCOM also gives the outstanding performance in relatively short barrels suited to the AR platform. This makes for a very compact, hard-hitting cartridge suitable for hunting or defense.

The cartridge produces tremendous stopping power at short to intermediate range. Using the 300 grain Sierra Pro-Hunter #8900 the .458 SOCOM is capable of taking all North American Game, and should deliver reliable expansion and penetration even at velocities as low as 1300 FPS.



458 SOCOM

Bullet		Caliber	Weight	Type	C.O.A.L.				
	#8900	.458"	300gr.	HP	2.000"				
Powder	Velocity	1500	1600	1700	1800	1900	2000	2100	
SBR-SOCOM			32.1	34.0	35.7	37.4			
2400		27.2	27.1	28.4					
Enforcer			27.0	28.8	31.1				
A#9			25.7	27.5					
A 4100			28.1	30.0	31.8				
N110		24.4	25.9	27.7					
H110				31.1	32.9	35.0			
Win 296				30.9	32.9	34.8			
IMR 4227			31.6	32.9	34.8				
A 5744				33.7	35.8	38.0			
A 1680							44.3	46.6	
CFE BLK							44.8	47.4	
IMR 4198					38.5	40.5			
H4198					39.6	41.5	43.2		
Power Pro 300 MP					33.9	35.9			
N120					36.2	38.8			
H322					44.7	46.9			
LT 32					42.8	45.0			
Energy Ft. Lbs		1499	1705	1925	2158	2404	2664	2937	
Special Load	Powder	Grains	Velocity	fps	Energy	Ft. lb			
Accuracy Load	LT-32	45.0	1900		2404				
Hunting Load	A 1680	46.6	2100		2937				