

# 450 BUSHMASTER

## Test Specifications:

Firearm Used: Universal

Barrel Length: 24"

Twist: 1-20"

## Components:

Case: Starline

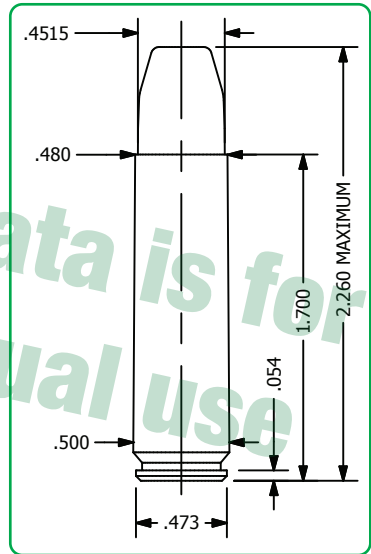
Trim-to Length: 1.695"

Primer: WSR


## Remarks:


The 450 Bushmaster is designed for use from a Modern Sporting Rifle as a hard hitting, big game round. It is only 0.1" shorter than a 460 Smith & Wesson Magnum and uses the 0.4515" diameter projectiles. It also uses a rebated rim that has a diameter of 0.473", common to most other familiar cartridges like the 308Win and 30-06 so bolt size is readily available. The case is tapered to work well from semi-autos but it also headspaces at the case mouth just like the 9x19 and 45ACP. The increase in recoil and power makes the cartridge a little more difficult to reload but can be done with proper techniques. A taper crimp will be ideal for this cartridge design. A heavy roll crimp is not recommended. Using too much crimp could allow the cartridge to travel past the chamber stop and create serious problems if the powder was to ignite.

This cartridge has shown favor in states now allowing straight wall rifle cartridges for hunting whitetail. In fact, there are several rifle companies now making bolt actions chambered in this cartridge. Sierra's heavy weight 300gr should be an ideal 'Thumper' from this cartridge and is built tough enough to work well on a wide variety of game animals.





# 450 BUSHMASTER

Bullet Caliber Weight Type		C.O.A.L.						
	#8810 .4515" 185gr. FPJ	2.015"						
Powder ∨	Velocity >	2100	2200	2300	2400	2500	2600	2700
N110					36.0	37.6		
N105			29.1	31.6				
H110			44.2	44.8	45.6	46.7	48.1	
IMR 4227		41.8	43.0	44.2	45.6	47.0		
<b>Energy Ft. Lbs</b>		<b>1811</b>	<b>1988</b>	<b>2173</b>	<b>2366</b>	<b>2567</b>	<b>2776</b>	<b>2994</b>
Special Load	Powder	Grains	Velocity fps		Energy Ft. lb			
<b>Accuracy Load</b>	N110	37.6	2500		2567			
<b>Hunting Load</b>	H110	48.1	2700		2994			


Bullet Caliber Weight Type		C.O.A.L.						
	#8825 .4515" 200gr. FPJ	2.030"						
Powder ∨	Velocity >	2000	2100	2200	2250	2300	2350	2400
N110				34.2	34.9	35.5	36.2	36.9
N105		26.1	27.8	29.4	30.2			
IMR 4227				41.8	42.6	43.5	44.4	45.3
A 5744				41.2	42.2	43.1	44.1	45.0
<b>Energy Ft. Lbs</b>		<b>1776</b>	<b>1958</b>	<b>2149</b>	<b>2248</b>	<b>2349</b>	<b>2452</b>	<b>2558</b>
Special Load	Powder	Grains	Velocity fps		Energy Ft. lb			
<b>Accuracy Load</b>	N110	36.9	2400		2558			
<b>Hunting Load</b>	N110	36.9	2400		2558			

## 450 BUSHMASTER

Bullet		Caliber	Weight	Type						C.O.A.L.
	#8815	.4515"	230gr.	FMJ						2.130"
Powder	Velocity	1900	2000	2100	2200	2300	2350	2400		
2400				36.9	38.5	40.2				
N110			31.1	32.2	34.0	36.3				
N105	25.0	26.6								
IMR 4227		39.6	40.8	42.4	44.2					
A 5744			40.4	42.3	44.1					
N120			41.8	43.3	45.2	46.2	47.3			
<b>Energy Ft. Lbs</b>		<b>1843</b>	<b>2042</b>	<b>2252</b>	<b>2471</b>	<b>2701</b>	<b>2820</b>	<b>2941</b>		
Special Load	Powder	Grains	Velocity	fps	Energy	Ft. lb				
<b>Accuracy Load</b>	A 5744	44.1	2300	2701						
<b>Hunting Load</b>	N120	47.3	2400	2941						

Bullet		Caliber	Weight	Type						C.O.A.L.
	#8820	.4515"	240gr.	JHC						2.020"
Powder	Velocity	1700	1800	1900	2000	2100	2200	2300		
SBR-SOCOM					37.5	39.0	40.5			
2400				34.1	34.9	35.8	36.7			
N110				29.9	32.3	34.3				
N105			25.2	26.9						
IMR 4227			36.7	38.3	39.9	41.5				
A 5744				38.3	40.3					
A 1680					45.9	47.8				
CFE BLK					48.1	49.3	50.8			
IMR 4198				39.6	42.1	43.8				
H4198				41.1	42.6	44.0				
N120						41.4	43.2	45.2		
Exterminator	46.0	47.2	48.9							
<b>Energy Ft. Lbs</b>	<b>1540</b>	<b>1726</b>	<b>1923</b>	<b>2131</b>	<b>2350</b>	<b>2579</b>	<b>2819</b>			
Special Load	Powder	Grains	Velocity	fps	Energy	Ft. lb				
<b>Accuracy Load</b>	N110	34.3	2200	2579						
<b>Hunting Load</b>	CFE BLK	50.8	2300	2819						

**450 BUSHMASTER**

Bullet		Caliber	Weight	Type	C.O.A.L.				
	#8830	.4515"	300gr.	JSP	2.105"				
Powder	Velocity	1450	1550	1650	1750	1850	1950	2000	
SBR SOCOM					33.6	35.0			
N110				26.9	29.2	30.6			
N105	21.2	22.4	24.1						
IMR 4227					34.6	36.2			
A 5744					34.8	36.6			
IMR 4198		34.7	36.7		38.1				
H4198			37.7		39.5				
N120					36.6	38.2	39.9	40.8	
<b>Energy Ft. Lbs</b>		<b>1400</b>	<b>1600</b>	<b>1813</b>	<b>2040</b>	<b>2279</b>	<b>2533</b>	<b>2664</b>	
Special Load	Powder	Grains	Velocity fps	Energy Ft. lb					
<b>Accuracy Load</b>	N120	40.8	2000	2664					
<b>Hunting Load</b>	N120	40.8	2000	2664					

Do not edit or  
redistribute.