

45 COLT (RIFLE)

Test Specifications:

Firearm Used: Winchester Model 94AE

Barrel Length: 16"

Twist: 1 x 38"

Components:

Case: Federal

Trim-to Length: 1.280"

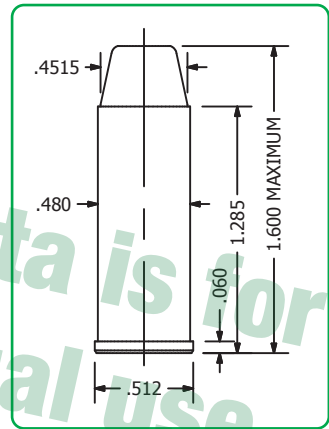
Primer: Federal 155

Remarks:


The 45 Colt is one of the oldest handgun cartridges still in common use. Introduced by Colt in 1873, the 45 was designed for the classic Single Action Army, also known as the Peacemaker. Originally loaded with a stiff charge of 40 grains of black powder and a 250 or 255 grain bullet, the 45 Colt rapidly earned a reputation as a reliable fight stopper on the western frontier. Over 120 years after its introduction, the 45 Colt remains one of our most popular big bore handgun cartridges.


The sealed breach, strong lock up and longer barrel of the Winchester, Marlin, and Henry carbines offer substantial room for improvement over the ballistic performance available in a 45 Colt handgun. Although it is often compared to the more powerful 44 Magnum, the 45 Colt cannot be pushed to the same levels. In our testing, using otherwise identical Winchester Model 94AE carbines, we were able to obtain some 200 feet per second more velocity with the 44 Magnum when like bullet weights were used. When used within its range limitations, the 45 is still a reliable performer. With solidly constructed bullets capable of giving deep penetration, the 45 Colt is capable of cleanly taking whitetail deer and black bear at short ranges. In many respects, the 45 Colt is superior to the smaller caliber high velocity cartridges used in this type of hunting. In the words of the late Elmer Keith, a large, slow moving bullet giving complete penetration "lets a lot of air in, and a lot of blood out."

The following data was worked up specifically for the Winchester or Marlin 45 Colt rifles, and should not be used in revolvers or weaker replica lever actions. In our testing, we found Accurate No.9, Hodgdon's H110 and Winchester 296 to be the best powders for high velocity loadings. Magnum primers provide the best ignition when such slow burning powders are used, generally giving the most uniform velocity and accuracy. A firm crimp is required with these powders, and we had excellent results with the Lee Factory Crimp Die. This crimp must be applied in a separate operation, but we normally recommend this over seating and crimping in the same step.



45 COLT (RIFLE)

Bullet		Caliber	Weight	Type	C.O.A.L.			
		#8820	.4515"	240gr.	JHC	1.600"		
Powder	Velocity	1300	1350	1400	1450	1500	1550	
Unique		11.1	11.6	12.1				
SR4756		11.9	12.5	13.0				
Blue Dot		14.5	15.0	15.5	16.0	16.4		
A #7				16.8	17.5	18.2		
A #9				19.5	20.2	20.9	21.6	
Viht N110		19.0	19.4	19.8	20.3	20.7	21.2	
H110				20.7	21.5	22.3	23.2	
296				21.0	21.9	22.8	23.6	
IMR 4227		19.4	20.5	21.6				
Energy Ft. lbs		900	971	1044	1120	1199	1280	
Special Load	Powder	Grains	Velocity fps	Energy Ft. lb				
Accuracy Load	H110	22.3	1500	1199				
Hunting Load	A #9	21.6	1550	1280				

Bullet		Caliber	Weight	Type	C.O.A.L.			
		#8830	.4515"	300gr.	JSP	1.650"		
Powder	Velocity	1200	1300	1400	1450	1500		
Blue Dot		13.3	14.3	15.3	15.8			
A #9		16.1	17.5	18.9	19.6			
2400		17.1	18.5	19.8	20.4			
Viht N110		17.2	18.1	19.0				
H110			18.4	20.0	20.8	21.7		
296			18.6	20.0	20.7	21.5		
Energy Ft. lbs		959	1126	1305	1400	1499		
Special Load	Powder	Grains	Velocity fps	Energy Ft. lb				
Accuracy Load	Viht N110	19.0	1400	1305				
Hunting Load	296	21.5	1500	1499				