

# 41 MAGNUM (RIFLE)

## Test Specifications:

Firearm Used: Marlin 1894S

Barrel Length: 20"

Twist: 1 x 18 1/2"

## Components:

Case: Federal

Trim-to Length: 1.285"

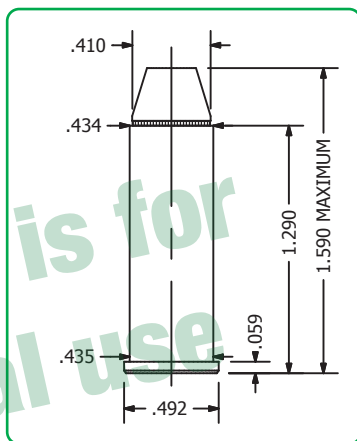
Primer: Federal 155

## Remarks:


The 41 Magnum was introduced in 1964 as the ideal cartridge for law enforcement. With greater power than the 357 Magnum and less recoil than the 44 Magnum, the 41 seemed the perfect compromise between stopping power and acceptable recoil. In the original 210 grain jacketed soft point loads from Remington, the 41 delivered performance and recoil similar to that of the 44 Magnum. By the time Remington offered the milder 210 grain lead semi wadcutter police loading, law enforcement administrators had already dismissed the 41 as too powerful for duty use. The 41 never developed much of a following after that, but those who have taken time to get to know it have been impressed. It is a very good cartridge with great potential for the handloader.


After the lukewarm reception from law enforcement, the 41 became almost exclusively a hunter's cartridge. Rifles could be found from Henry and Marlin in the lever action configuration. Offering performance nearly on par with the 44 Magnum, the 41 is capable of taking the same range of game as the bigger cartridge. With bullet weights ranging from 170 to 210 grains, the 41 Magnum will handle most short range hunting situations quite well. Still, the heavier bullets available for the 45 Colt and 44 Magnum give those cartridges an undeniable edge, particularly for tougher game like black bear or wild boar.

Like most straight wall magnum pistol cartridges, the 41 Magnum is at its best with slow burning powders such as H110, 296, 2400, and No. 9. Most of these powders are best ignited by magnum primers in cases that have been firmly crimped. The 41 is an easy cartridge to reload, giving fine results with a wide variety of components.



# 41 MAGNUM (RIFLE)

Bullet Caliber Weight Type								C.O.A.L.
	#8500	.410"	170gr.	JHC				1.580"
Powder	Velocity	1600	1700	1800	1900	1950	2000	
Blue Dot		13.4	14.5	15.5				
2400			19.1	21.0				
A #9			17.0	19.0	21.0			
H110				22.0	23.6	24.3		
296				21.7	22.9	23.5	24.1	
<b>Energy Ft. lbs</b>		<b>966</b>	<b>1091</b>	<b>1223</b>	<b>1362</b>	<b>1435</b>	<b>1510</b>	
Special Load	Powder	Grains	Velocity fps	Energy Ft. lb				
<b>Accuracy Load</b>	296	21.7	1800	1223				
<b>Hunting Load</b>	296	21.7	1800	1223				

Bullet Caliber Weight Type								C.O.A.L.
	#8520	.410"	210gr.	JHC				1.580"
Powder	Velocity	1400	1500	1550	1600	1650	1700	
Blue Dot		11.7	12.9					
2400			17.7	18.4	19.1			
A #9			16.2	17.0	17.8	18.6		
H110			18.2	18.9	19.6	20.3		
296				18.3	18.9	19.5	20.1	
<b>Energy Ft. lbs</b>		<b>914</b>	<b>1049</b>	<b>1120</b>	<b>1194</b>	<b>1269</b>	<b>1347</b>	
Special Load	Powder	Grains	Velocity fps	Energy Ft. lb				
<b>Accuracy Load</b>	A #9	17.0	1550	1120				
<b>Hunting Load</b>	A #9	17.0	1550	1120				