

# 375 REMINGTON ULTRA MAGNUM (RUM)

## Test Specifications:

Firearm Used: Universal

Barrel Length: 24"

Twist: 1-12"

## Components:

Case: Bertram Brass

Trim-to Length: 2.840"

Primer: WLRM

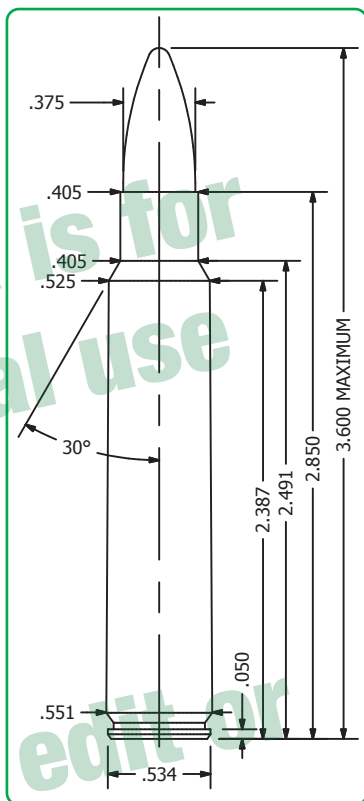
## Remarks:

The 375 was the fourth offering in the Remington Ultra Mag series, and one that's sure to be a hit. Although designed specifically for hunting Alaskan and African game, a powerful round like this will also appeal to shooters in the lower 48. There is, after all, an undeniable fascination among shooters with a cartridge that generates this kind of energy.


Providing a substantial ballistics increase over the time-honored 375 H&H, the UltraMag rivals the 378 Weatherby. This is saying a lot, considering the Weatherby's well-earned reputation as a decisive stopper. Again based on the 404 Jeffrey case, this member of the UltraMag clan uses a slightly shorter case than the parent 300 RUM to allow its use in a standard-length action with existing bullet designs. Sierra offers two bullets that are ideally suited to the 375 RUM: the 250 and 300 grain Spitzer Boat Tails. Both give extremely flat trajectories while delivering awesome punch on the receiving end.

Considering the case volume and bore diameter of the 375 RUM, it is one of the best balanced of the newest Remington lineup. While the gap between the Holland & Holland and Weatherby offerings may not have been a crucial one, filling it finally gives Remington a foothold in the .375 bore market. Their 416 Remington Magnum, albeit a more potent cartridge, is not quite as well suited to African plains game, or as versatile as the 375 RUM.

Although it is unnecessarily powerful for anything in the contiguous United States, it will likely see some use for elk and black bear. In these applications, it offers one distinct advantage—it can be downloaded to reduce pressure and still have ample power to accomplish the job. The starting loads shown are also a good way to get acclimated this cartridge's rather heavy recoil.




# 375 REMINGTON ULTRA MAGNUM (RUM)


Bullet		Caliber	Weight	Type	C.O.A.L.					
		#2950	.375"	250gr.	SBT	3.600"				
Powder	Velocity	2800	2850	2900	2950	3000	3050	3100		
IMR 4451 End.		87.0	88.5	90.1	91.7	93.3	94.9			
H4350		86.9	88.4	89.8	91.3	92.8	94.3			
RE 16			87.2	88.1	89.3	90.8	92.6	94.8		
RE 17			87.0	88.4	89.8	91.2	92.7	94.2		
Hybrid 100V				88.3	90.2	92.0	93.7	95.5		
H4831sc		95.3	96.3	97.6	99.1	101.0	103.2			
IMR 4955 End.		90.1	91.6	93.3	95.0	96.9				
N560		97.2	98.7	100.1	101.6	103.0	104.5	106.0		
<b>Energy Ft. Lbs</b>		<b>4351</b>	<b>4508</b>	<b>4668</b>	<b>4830</b>	<b>4995</b>	<b>5163</b>	<b>5334</b>		
Special Load	Powder	Grains	Velocity fps	Energy Ft. lb						
<b>Accuracy Load</b>	RE 17	94.2	3100	5334						
<b>Hunting Load</b>	RE 16	94.8	3100	5334						

Do not edit or redistribute.

**375 REMINGTON ULTRA MAGNUM (RUM)**

Bullet		Caliber	Weight	Type	C.O.A.L.					
		#3000	.375"	300gr.	SBT	3.600"				
Powder	Velocity	2600	2650	2700	2750	2800	2850	2900		
IMR 4451 End.		83.6	85.0	86.6	88.1					
A 4350		83.9	85.7	87.4	89.1					
H4350		83.3	84.8	86.4	87.9	89.4				
RE 16		81.3	82.9	84.6	86.3	88.2				
RE 17		81.6	83.1	84.5	86.0	87.4	88.8			
Hybrid 100V		80.4	82.2	84.0	85.8	87.6				
RE 19		88.7	90.2	91.7	93.3	95.0	96.7			
H4831sc		90.0	91.8	93.6	95.4	97.2				
IMR 4955 End.		85.7	87.5	89.3						
N560		89.8	91.4	92.9	94.5	96.0	97.5			
RE 23			87.6	89.7	92.0	94.5				
RE 25				99.0	100.9	102.8	104.6	106.3		
IMR 7977 End.		97.4	99.0	100.7	102.5	104.5				
H1000			96.7	98.6	100.5	102.5	104.5			
Magnum					104.8	106.9	109.3	111.8		
<b>Energy Ft. Lbs</b>		<b>4502</b>	<b>4677</b>	<b>4855</b>	<b>5037</b>	<b>5222</b>	<b>5410</b>	<b>5601</b>		
Special Load	Powder	Grains	Velocity	fps	Energy	Ft. lb				
<b>Accuracy Load</b>	RE 25	106.3	2900		5601					
<b>Hunting Load</b>	Magnum	111.8	2900		5601					

# 375 REMINGTON ULTRA MAGNUM (RUM)

Bullet		Caliber	Weight	Type	C.O.A.L.				
	#9350	.375"	350gr.	HPBT Match	3.950"				
*requires 1 x12" twist or faster twist									
Powder	Velocity	2325	2375	2425	2475	2525	2575	2600	
IMR 4451 End.				78.5	81.1	82.9			
A 4350				79.6	82.1	84.1			
H4350			77.3	79.2	81.1	83.0	85.0		
RE 16			75.7	77.9	79.9	81.6			
RE 17			75.6	77.3	79.0	80.6	82.2	82.9	
Hybrid 100V				77.5	78.9	80.6	82.5	83.6	
RE 19					83.5	85.9	88.1	89.3	
H4831sc				85.2	87.1	88.9	90.6	91.4	
IMR 4955 End.					80.0	83.3			
N560				84.4	86.8	88.8	90.3	90.9	
RE 23				82.1	83.7	85.4	87.3	88.2	
RE 25				89.0	90.6	92.3	94.1	95.1	
IMR 7977 End.	87.2	89.1	90.8	92.5	94.1	95.6	96.3		
H1000			88.4	90.4	92.4	94.5	95.6		
Magnum			92.3	94.0	95.9	97.9	98.9		
<b>Energy Ft. Lbs</b>		<b>4200</b>	<b>4383</b>	<b>4569</b>	<b>4760</b>	<b>4954</b>	<b>5152</b>	<b>5253</b>	
Special Load	Powder	Grains	Velocity fps	Energy Ft. lb					
<b>Accuracy Load</b>	RE 19	89.3	2600	5253					
<i>Sierra does not recommend MatchKing bullets for hunting applications.</i>									