

375 H&H MAGNUM

Test Specifications:

Firearm Used: Winchester M70

Barrel Length: 25"

Twist: 1 x 12"

Components:

Case: Winchester

Trim-to Length: 2.840"

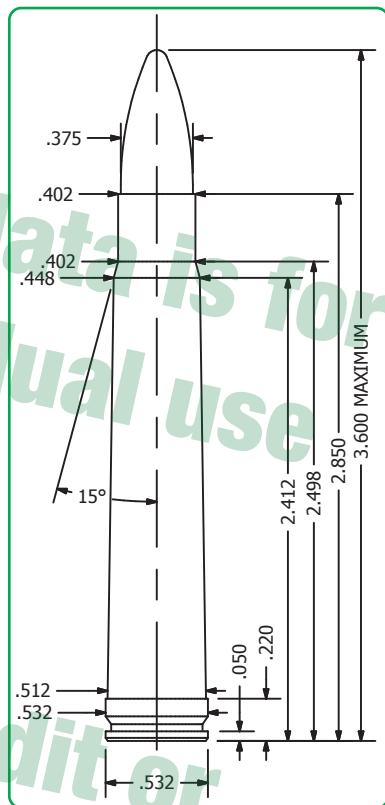
Primer: Federal 215

Remarks:


Introduced in 1912, the 375 Holland & Holland is a member of the family of cartridges that included the 275, 300, and 350 H&H Magnums. Only the 300 and 375 attained much popularity here in the United States, and the 300 has since lost much of its earlier appeal. Despite newer and more powerful developments, the 375 is still a highly respected cartridge for use against most larger African species. The 375 has proven itself over decades of hunting on some of the toughest African game, including lion and cape buffalo. Originally loaded with cordite, the 375 has the typically shallow shoulders common to cartridges designed for use with this long grained extruded tubular propellant.


Although the 375 is a "magnum," it does not perform well with the slower burning powders generally associated with the newer designed magnum cartridges. Medium burning powders, such as IMR 4064, give the best accuracy and velocity with most bullet weights. Given its flat trajectory, the 375 Holland & Holland is a first rate, long range performer capable of delivering a crushing blow.

Although unnecessarily powerful for even the largest and most dangerous North American game, the 375 has always had a loyal following among guides and hunters who pursue the big bears. Whether on the plains of Africa or the alder thickets of Alaska, a little extra power is always a welcome feeling when hunting dangerous game, especially when things get up close and personal. In these situations, Sierra's 300 grain Spitzer boat tail has developed a well deserved reputation for deep penetration and reliable expansion. For use on somewhat lighter game such as elk and moose, the 250 grain Spitzer boat tail has given excellent results. With the reduced charges of SR 4759, the 200 grain flat nose is an excellent choice for short range use on whitetail deer. When used with the full charge loads shown, this thin jacketed bullet is best reserved for familiarization, practice, or big bore plinking.




375 H&H MAGNUM


		Bullet	Caliber	Weight	Type	C.O.A.L.
			#2900	.375"	200gr. FN	3.350"
Powder	Velocity	2050	2100	2150	2200	2250
SR 4759		36.5	37.6	38.7	39.8	41.0
Energy Ft. lbs		1866	1958	2052	2149	2248
Special Load	Powder	Grains	Velocity fps	Energy Ft. lb		
Accuracy Load	SR 4759	38.7	2150	2052		
Hunting Load	SR 4759	39.8	2200	2149		

		Bullet	Caliber	Weight	Type	C.O.A.L.
			#2900	.375"	200gr. FN	3.350"
Powder	Velocity	2900	3000	3100	3200	
IMR 3031		67.7	70.5	73.2	76.0	
IMR 4895		71.5	73.8	76.2	78.5	
IMR 4064		71.5	74.4	77.4	80.3	
IMR 4320		70.0	73.2	76.5	79.7	
IMR 4350		83.3	84.7			
Energy Ft. lbs		3734	3996	4267	4547	
Special Load	Powder	Grains	Velocity fps	Energy Ft. lb		
Accuracy Load	IMR 4064	71.5	2900	3734		

*This bullet is not recommended for hunting applications at these velocities.

375 H&H MAGNUM

Bullet Caliber Weight Type						C.O.A.L.
	#2950	.375"	250gr.	SBT		3.600"
Powder	Velocity	2500	2600	2700	2800	2850
IMR 3031		58.0	60.8	63.6	66.4	
IMR 4895		61.0	63.6	66.2	68.8	70.1
IMR 4064		63.1	65.5	67.9	70.3	71.5
RE 15			65.5	68.2	70.9	72.2
A 2700				73.4	77.5	
H414			72.8	77.4	82.0	
IMR 4350		69.4	72.7	76.0	79.3	
RE 19		75.0	79.5	84.0		
A 3100		76.7	79.7	82.6		
H4831		77.0	81.0			
Energy Ft. lbs		3469	3752	4046	4351	4508
Special Load	Powder	Grains	Velocity fps	Energy Ft. lb		
Accuracy Load	IMR 4064	67.9	2700	4046		
Hunting Load	IMR 4064	70.3	2800	4351		

Bullet Caliber Weight Type							C.O.A.L.
	#3000	.375"	300gr.	SBT			3.600"
Powder	Velocity	2300	2400	2450	2500	2550	2600
IMR 3031		57.3	59.7	60.9	62.2		
IMR 4895		59.2	61.8	63.1	64.4		
IMR 4064		61.4	64.0	65.4	66.7	68.0	
IMR 4320		62.0	64.4	65.6	66.7	67.8	
IMR 4350			71.6	73.4	75.2	77.0	78.7
IMR 4831			74.1	76.0	78.0		
MRP			75.6	77.4	79.2	81.1	
H4831			77.5	79.1	80.6		
Energy Ft. lbs		3523	3836	3998	4163	4331	4502
Special Load	Powder	Grains	Velocity fps	Energy Ft. lb			
Accuracy Load	IMR 4064	66.7	2500	4163			
Hunting Load	IMR 4064	68.0	2550	4331			