

358 WINCHESTER

Test Specifications:

Firearm Used: Browning BLR

Barrel Length: 20"

Twist: 1 x 12"

Components:

Case: Winchester

Trim-to Length: 2.005"

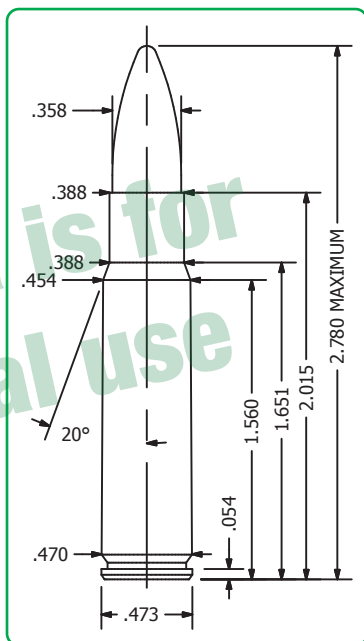
Primer: CCI 200

Remarks:


Of all the commercial offspring of the 308 Winchester, the 358 has been by far the least successful. Essentially, the 358 is a 308 Winchester case, necked up to accept a .358" diameter bullet. Introduced by Winchester in 1955, the 358 was first chambered in the Featherweight Model 70 bolt action rifle and in the Model 88 lever action rifle the following year. Intended specifically for hunting heavy game, the 358 is adequate for any North American big game species. With its 2.780" Overall length, it is well suited to short action rifles. As a result, the 358 has been chambered in a variety of different rifles, including the Savage Model 99, Browning BLR, and Ruger M77 as well as numerous custom firearms.


Traditionally regarded as a short range brush cartridge, the 358 has sufficient velocity to handle longer shots. This is particularly true when coupled with a bullet of relatively high ballistic coefficient, such as Sierra's 225 grain spitzer boat tail. Designed specifically for the 35 Whelen, this bullet is also perfectly suited to the velocities of the 358. For short range hunting of deer and black bear, the 200 grain round nose gives outstanding results. This bullet was intended for the milder 35 Remington and gives good expansion, even at the 358's starting velocities.

Cases for the 358 can be easily formed from 308 Winchester brass. By using a tapered expander ball and lightly lubing the inside of the case neck, 308 Winchester brass can be necked up to 35 caliber in a single pass. As is often the case when using military brass, listed loads should be reduced by one to two grains to compensate for the reduced capacity of G.I. brass. Although the 358 serves its intended purposes quite well, it has never been widely accepted. This is unfortunate, because it is a good cartridge that deserves more recognition than it has received.




358 WINCHESTER


Bullet Caliber Weight Type						C.O.A.L.
	#8340	.357"	158gr.	JSP		2.280"
Powder ▾	Velocity >	1800	1900	2000	2100	2200
H4895		38.3	39.5	40.7	41.8	43.0
A 2495		41.0	42.5	44.1	45.7	47.3
Viht N135		37.1	38.5	39.9	41.3	42.7
Varget		38.0	40.0	42.0	44.0	46.0
Viht N140		38.7	40.0	41.3	42.7	44.0
Energy Ft. lbs		1136	1266	1403	1547	1698
Special Load	Powder	Grains	Velocity fps	Energy Ft. lb		
Accuracy Load	Viht N140	42.7	2100	1547		
Hunting Load	Viht N140	44.0	2200	1698		

Bullet Caliber Weight Type						C.O.A.L.
	#8370	.357"	180gr.	FPJ Match		2.425"
Powder ▾	Velocity >	1800	1900	2000	2100	2200
Viht N135		36.8	38.3	39.8	41.4	43.0
Viht N140		38.0	39.6	41.2	42.9	44.5
A 2495		38.0	40.0	42.0	44.0	46.0
H4895		37.0	38.5	40.0	41.5	43.0
Varget		39.0	40.5	42.0	43.5	45.0
Energy Ft. lbs		1295	1443	1598	1762	1934
Special Load	Powder	Grains	Velocity fps	Energy Ft. lb		
Accuracy Load	Viht N140	42.9	2100	1762		
Hunting Load	Varget	45.0	2200	1934		

358 WINCHESTER

Bullet Caliber Weight Type						C.O.A.L.	
						#2800 .358" 200gr. RN	2.550"
Powder ∨	Velocity >	2200	2300	2400	2500	2550	
IMR 4198		35.2	37.0	38.8	40.6		
A 2015		40.5	42.4	44.3	46.2	47.2	
A 2230		41.8	44.3	46.8	49.3	50.2	
IMR 3031		42.1	43.9	45.7	47.5		
BL C(2)		43.1	45.6	48.2			
H4895		43.0	45.3	47.6	50.0		
IMR 4895		44.1	46.3	48.5	50.7		
Viht N135		43.4	45.7	48.0			
Varget		45.0	47.2	49.4			
IMR 4064		42.2	44.5	46.8	49.1	50.3	
IMR 4320		43.5	45.9	48.3	50.7	51.9	
Viht N140		45.0	47.5	50.0			
Energy Ft. lbs		2149	2349	2558	2775	2887	
Special Load	Powder	Grains	Velocity fps	Energy Ft. lb			
Accuracy Load	IMR 4064	49.1	2500	2775			
Hunting Load	IMR 4064	49.1	2500	2775			

358 WINCHESTER

Bullet Caliber Weight Type						C.O.A.L.	
						#2850 .358" 225gr. SBT	2.770"
Powder v	Velocity >	2200	2300	2350	2400	2450	
A 2015		39.8	41.6	42.4	43.4		
IMR 4198		36.7	38.4	39.2	40.1		
RE 7		37.7	39.4	41.0			
IMR 3031		38.9	40.9	41.9	42.9	43.9	
A 2230		42.0	44.5	45.8	47.0		
BL C(2)			44.0	45.0	46.0	47.0	
H4895		42.0	44.5	45.8	47.0		
Varget		44.4	46.7	47.9	49.0		
Viht N135		42.7	45.0	46.1	47.2		
IMR 4895		42.8	45.3	46.6	47.8		
IMR 4064		41.8	44.9	46.5	48.0		
IMR 4320		43.2	45.4	46.6	47.8	48.9	
Energy Ft. lbs		2418	2642	2759	2877	2998	
Special Load	Powder	Grains	Velocity fps	Energy Ft. lb			
Accuracy Load	IMR 4320	48.9	2450	2998			
Hunting Load	IMR 4320	48.9	2450	2998			

This data is for individual use only. Do not edit or redistribute.