

**338 FEDERAL****Test Specifications:**

Firearm Used: Universal

Barrel Length: 24"

Twist: 1-10"

**Components:**

Case: Federal

Trim-to Length: 2.005"

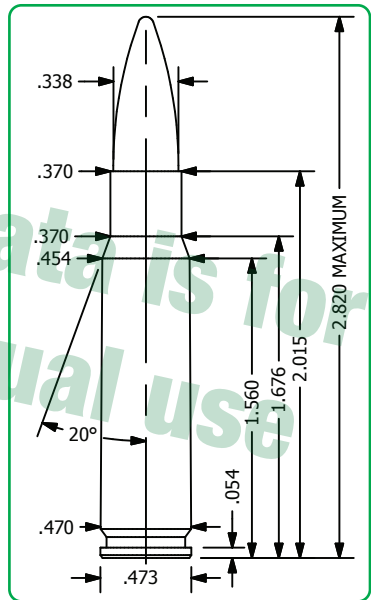
Primer: Fed 210

**Remarks:**


The 338 Federal was created back in 2006 through a joint effort by Federal and Sako. The cartridge is based on the .308 Winchester case, necked up to .338 caliber. In the past, the efficient 308 case has been utilized to provide a number of cartridges including 243 Win., 260 Rem., 7mm-08, and 358 Win. I'm not sure why it took so long but I'm delighted Federal Cartridge Company initiated the 338 Federal.

This cartridge is a non-magnum round delivering maximum energy with tolerable recoil. It generates more energy than the .308 Winchester and shoots almost as flat - with heavier bullets. The 338 Federal fits nicely in short action rifles and makes for a superb big game round inside sane ranges. My experience with the 338 Federal comes from both rifle and handguns. I've taken several head of large, African plains game including a monster Livingstone eland - all with one shot. Here in North America a Shiras moose and wild hogs have been taken. In my experience, I have found the 338 Federal is not only accurate but handles big game easily without generating punishing, intimidating recoil.


Like other .308 Winchester cases, the 338 Federal finds favor with handloaders. Sierra offers five bullet options including their 215 gr. SBT GameKing all the way up to a 300 gr. HPBT offering. For hunting purposes, the 215 gr. SBT bullet is a solid performer on elk-sized game. If you're searching for a cartridge ideally suited for large game such as wild boar, bear, elk, or moose, the 338 Federal may just be the ticket.





**338 FEDERAL**

Bullet		Caliber	Weight	Type	C.O.A.L.			
	#2610	.338"	215gr.	SBT	2.800"			
Powder	Velocity	2050	2150	2250	2350	2450	2550	2600
H322			35.0	37.4	39.6	41.7		
H335		36.0	38.0	40.0	41.9	43.7		
IMR 8208 XBR			37.3	39.3	41.3	43.2		
TAC				39.5	41.7	44.0	46.3	
H4895			37.4	39.1	40.9	43.1	45.4	
IMR 4895		36.5	38.4	40.3	42.3	44.3		
A 2495			38.5	40.3	42.3	44.4		
IMR 4166 End.			37.2	39.0	40.9	43.1		
IMR 4064		36.7	38.5	40.4	42.4	44.4		
Exterminator			36.7	38.7	40.7	42.9		
A 4064			39.0	41.0	42.9	44.9		
RE 15			38.5	40.0	41.9	44.0	46.4	
N140			39.3	41.3	43.4	45.5		
Varget			39.4	41.3	43.4	45.6		
Power Pro 2000 MR				43.0	44.4	46.4	49.1	50.7
AR Comp			35.5	37.4	39.5	41.7		
<b>Energy Ft. Lbs</b>		<b>2006</b>	<b>2206</b>	<b>2416</b>	<b>2636</b>	<b>2865</b>	<b>3104</b>	<b>3227</b>
Special Load	Powder		Grains	Velocity fps	Energy Ft. lb			
<b>Accuracy Load</b>	H4895		45.4	2550	3104			
<b>Hunting Load</b>	Power Pro 2000 MR		50.7	2600	3227			

## 338 FEDERAL

Bullet		Caliber	Weight	Type	C.O.A.L.				
	#2620	.338"	225gr.	SPT	2.800"				
Powder	Velocity	1900	2000	2100	2200	2300	2400	2500	
H322				35.4	37.5	39.6			
H335	35.2	36.9	38.7	40.5	42.3				
IMR 8208 XBR				37.2	39.1	41.2	43.3		
TAC				37.7	39.9	42.2	44.5		
H4895				37.2	39.1	41.1	43.2		
IMR 4895		36.5	38.5	40.4	42.3				
A 2495		36.4	38.3	40.3	42.2	44.1			
IMR 4166 End.		35.5	37.3	39.3	41.3				
IMR 4064		36.7	38.8	40.8	42.8				
Exterminator		35.6	37.6	39.6	41.6				
A 4064		37.3	39.2	41.1	43.0	45.0			
RE 15				38.4	40.4	42.5	44.7		
N140		37.4	39.2	41.2	43.3	45.6			
Varget				39.2	41.3	43.3	45.4		
Power Pro 2000 MR					43.0	45.0	47.3	49.8	
AR Comp				35.7	37.7	39.9	42.1		
<b>Energy Ft. Lbs</b>		<b>1803</b>	<b>1998</b>	<b>2203</b>	<b>2418</b>	<b>2642</b>	<b>2877</b>	<b>3122</b>	
Special Load	Powder	Grains	Velocity	fps	Energy	Ft. lb			
<b>Accuracy Load</b>	A 2495	44.1	2400		2877				
<b>Hunting Load</b>	Power Pro 2000 MR	49.8	2500		3122				

## 338 FEDERAL

Bullet		Caliber	Weight	Type	C.O.A.L.				
	#2600	.338"	250gr.	SBT	2.800"				
	#2650	.338"	250gr.	HPBT Match	2.800"				
Powder	Velocity	1850	1950	2050	2150	2250	2350	2400	
H322			31.7	34.3	36.5				
IMR 8208 XBR			34.2	36.0	38.0	40.1			
TAC				36.7	38.9	41.1	43.3		
H4895			33.8	35.8	37.8	39.8			
IMR 4895			34.7	36.7	38.7	40.6			
A 2495			35.5	37.2	39.0	40.9			
IMR 4166 End.		31.4	33.4	35.4	37.3				
IMR 4064		33.2	35.3	37.3	39.2				
Exterminator			34.9	36.9	38.8	40.6			
A 4064			36.2	38.0	40.0	42.0			
RE 15				37.4	39.4	41.4	43.6		
N140			36.6	38.4	40.4	42.4			
Varget			36.0	37.8	39.8	41.9			
Power Pro 2000 MR				41.3	43.5	45.6	47.5	48.4	
AR Comp				35.4	37.5	39.8			
<b>Energy Ft. Lbs</b>		<b>1900</b>	<b>2110</b>	<b>2332</b>	<b>2566</b>	<b>2810</b>	<b>3065</b>	<b>3197</b>	
Special Load	Powder	Grains		Velocity fps	Energy Ft. lb				
<b>Accuracy Load</b>	A 2495	40.9		2250	2810				
<b>Hunting Load</b>	Power Pro 2000 MR	48.4		2400	3197				
<i>Sierra does not recommend MatchKing bullets for hunting applications.</i>									