

325 WINCHESTER SHORT MAGNUM (WSM)

Test Specifications:

Firearm Used: Universal

Barrel Length: 24"

Twist: 1-10"

Components:

Case: Nosler

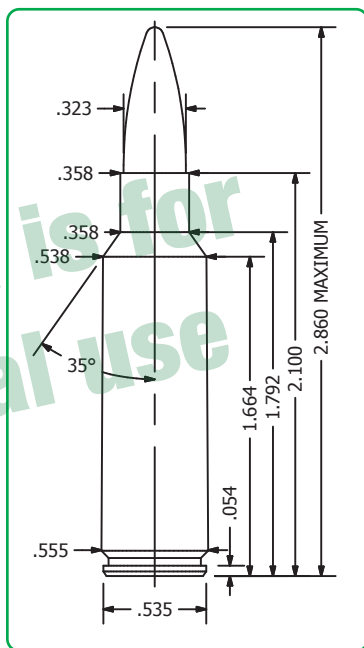
Trim-to Length: 2.090"

Primer: WLRM


Remarks:

The 325 Winchester Short Magnum (WSM) was introduced at the 2005 SHOT Show but no one expected it to use an 8mm diameter bullet. Bullet diameter is 0.323" and the case uses a rebated rim but no magnum belt. This means the case will headspace on the shoulder just like a lot of other bottlenecked cartridges. Honestly, this was a breath of fresh air to the 8mm lineup because it filled a hole that couldn't be filled with any other short action cartridge. Think of it as a little faster version of an 8mm-06. It provides the ideal velocity performance between the tried and true 8x57 and the hotrod 8mm Remington Magnum. All of this performance can be had from a light weight firearm using a short action intended to be used on larger game animals. Whitetail from Sierra's 150gr SPT Pro-Hunter will dispatch quickly, mule deer should fall easily to Sierra's 175gr SPT Pro-Hunter, and elk to moose sized game won't be any problem using Sierra's 220gr SBT GameKing from this cartridge.

A lot of the tried and true powders you may already have on hand will work with this cartridge. Medium burn powders like 4895 to slow burners like 4831 and RE-22 should give good results. Work with what is comfortable for your desired performance.




375 WINCHESTER SHORT MAGNUM (WSM)

Bullet		Caliber	Weight	Type	C.O.A.L.				
	#2400	.323"	150gr.	SPT	2.860"				
Powder	Velocity	2900	3000	3100	3150	3200	3250	3300	
H4895			53.5	56.1	57.5	58.9	60.3		
IMR 4166 End.			57.5	59.8	60.9	62.2			
A 4064			57.7	60.2	61.4	62.6	63.7		
Varget			56.7	59.6	61.0	62.4	63.7		
IMR 4451 End.			65.0	67.4	68.5	69.7			
A 4350		65.7	68.1	70.4	71.5				
H4350			62.7	64.9	66.0	67.1	68.2	69.3	
RE 16			64.2	66.4	67.6	68.7	69.8		
Hybrid 100V			63.0	65.3	66.4	67.5	68.5	69.6	
Hunter				69.2	70.6	72.0	73.5		
H4831sc			68.8	71.3	72.7	74.3			
Energy Ft. Lbs		2801	2997	3200	3304	3410	3517	3626	
Special Load	Powder	Grains	Velocity fps	Energy Ft. lb					
Accuracy Load	A 4350	71.5	3150	3304					
Hunting Load	H4350	69.3	3300	3626					


Do not edit or redistribute.

325 WINCHESTER SHORT MAGNUM (WSM)

Bullet Caliber Weight Type		C.O.A.L.						
	#2410 .323" 175gr. SPT	2.860"						
Powder ∨	Velocity >	2700	2800	2900	2950	3000	3050	3100
H4895		49.7	52.4	55.2	56.6			
IMR 4166 End.		52.8	55.1	57.4	58.6	59.7		
A 4064		53.3	55.9	58.4	59.7	60.9		
Varget			54.7	57.5	59.0	60.7		
IMR 4451 End.			62.8	64.3	65.3	66.5		
A 4350				65.8	67.0	68.2	69.6	70.9
H4350				62.6	64.1	65.6	67.1	
RE 16			61.1	63.6	64.8	66.0	67.3	68.4
Hybrid 100V			59.9	62.4	63.6	64.8	65.9	
Hunter					68.3	69.9	71.5	73.0
H4831sc				67.9	69.2	70.6	71.9	
Energy Ft. Lbs		2832	3046	3267	3381	3497	3614	3734
Special Load	Powder	Grains	Velocity fps	Energy Ft. lb				
Accuracy Load	RE 16	68.4	3100	3734				
Hunting Load	A 4350	70.9	3100	3734				


Do not edit or redistribute.

375 WINCHESTER SHORT MAGNUM (WSM)

Bullet		Caliber	Weight	Type	C.O.A.L.					
		#2415	.323"	200gr.	HPBT Match	2.915"				
Powder	Velocity	2550	2650	2700	2750	2800	2850	2900		
IMR 4451 End.		56.0	58.4	59.5	60.7	61.8				
A 4350			60.2	61.5	62.8	64.1	65.5			
H4350			56.9	58.3	59.7	61.1	62.5			
RE 16			58.2	59.7	61.1	62.4	63.5			
Hybrid 100V			57.8	59.1	60.3	61.5	62.7			
Hunter				61.9	63.1	64.4	65.9	67.6		
H4831sc			61.3	62.7	64.1	65.4	66.8			
IMR 4955 End.		58.3	60.6	62.2	64.1					
N560			63.4	64.5	65.7	66.9	68.2			
RE 23			61.6	63.0	64.3	65.5	66.8	68.0		
IMR 7828ssc		60.9	63.4	64.6	65.6	66.5				
Energy Ft. Lbs		2887	3118	3237	3358	3481	3607	3734		
Special Load	Powder	Grains	Velocity fps	Energy Ft. lb						
Accuracy Load	N560	68.2	2850	3607						
<i>Sierra does not recommend MatchKing bullets for hunting applications.</i>										

Do not edit or redistribute.

325 WINCHESTER SHORT MAGNUM (WSM)

Bullet Caliber Weight Type		C.O.A.L.						
	#2420 .323" 220gr. SBT	2.860"						
Powder ∨	Velocity >	2400	2450	2500	2550	2600	2650	2700
IMR 4451 End.		54.7	56.0	57.3	58.6	60.0		
A 4350			56.6	58.1	59.5	60.9	62.3	
H4350		53.4	54.8	56.1	57.5	58.8		
RE 16			55.7	57.0	58.4	59.7	61.1	
Hybrid 100V		53.5	54.9	56.3	57.6	58.8	60.0	
Hunter				59.9	61.4	62.9	64.3	
H4831sc			59.8	61.2	62.6	64.1	65.5	
IMR 4955 End.		57.1	58.4	59.9	61.5	63.3		
N560			59.8	61.0	62.3	63.5	64.7	
RE 23				59.8	61.2	62.7	64.2	
IMR 7828ssc		57.9	59.2	60.5	61.7	62.9	64.1	65.2
Energy Ft. Lbs		2813	2932	3053	3176	3302	3430	3561
Special Load	Powder	Grains	Velocity fps	Energy Ft. lb				
Accuracy Load	RE 16	61.1	2700	3561				
Hunting Load	A 4350	62.3	2700	3561				

Do not edit or redistribute.