

# Z0 TACTICAL

## Test Specifications:

Firearm Used: Universal

Barrel Length: 24"

Twist: 1-11"

## Components:

Case: Reformed Win 223 Rem

Trim-to Length: 1.750"

Primer: WSR

## Remarks:

Twenty caliber cartridges have been with us for over a century but, generally, enjoying limited success. Things have changed in recent years, however, with over a dozen wildcat and factory offerings and as many custom and factory manufacturers chambering rifles, and some handguns, for them. Of the lot, I've developed a particular fondness for one of them: the .20 Tactical. It has always seemed to me to be the most practical of all of them.

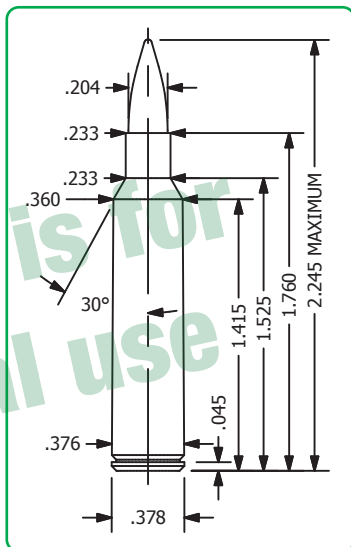
The .20 Tactical was developed in 1998 by Todd Kindler, proprietor of The Woodchuck Den, Inc., a retail/mail order firm specializing in products for small bore cartridges. It is the .223 Remington case necked down to .20 caliber with the neck lengthened slightly, the shoulder set back and sharpened to 30 degrees and the body blown out to reduce the taper. Unlike the parent .223 Remington with its maximum average pressure limit of 55,000 psi, the .20 Tactical's pressure is established at 63,000 psi.

Benefits, its fans will tell you, are numerous. A very light recoil allows the shooter to see the target being hit (or missed). Low noise derived from a relatively small powder charge in a small capacity case coupled with a long barrel keeps landowners happy. To this, light bullets cost less than heavier ones and the small charges stretch our powder budget.


The essence of the .20 Tactical is in the numbers; the Ballistic Coefficient numbers, specifically. Most .20 caliber bullets run from 32 to 40 grains with b.c. numbers ranging from .221 to .287. To reach those upper levels, .22 caliber bullets must exceed 60 grains. The lighter .20 caliber bullets can be propelled faster, tend to shoot flatter with less wind drift and do it quieter and at less cost.

I've had the opportunity to work with two .20 Tactical rifles at the range and in prairie dog towns. Accuracy has been consistently outstanding. Several bullets have impressed me but none so much as the Sierra 39 grain Blitzking. If you haven't experienced a .20 caliber in the field, I suggest you try a .20 Tactical.


By: R.H.VanDenburg,Jr.



# Z0 TACTICAL

Bullet Caliber Weight Type								C.O.A.L.
	#1032	.204"	32gr.	BlitzKing				2.245"
Powder ▾	Velocity >	3500	3600	3700	3800	3900	4000	4100
RE 7		20.3	21.0	21.7	22.3	22.9		
IMR 4198			20.9	21.6	22.3	23.0		
H4198			20.7	21.7	22.4	23.1	23.6	
LT 32			22.5	23.1	23.7	24.3		
A 2015		23.1	23.6	24.1	24.6	25.1		
RE 10x		22.0	22.5	23.1	23.7	24.2	24.7	
IMR 3031		23.5	23.9	24.4	25.0	25.6		
Benchmark		23.7	24.3	25.0	25.6	26.2	26.7	
H335		23.2	23.9	24.6	25.3	26.0		
IMR 8208 XBR		24.4	25.0	25.6	26.2	26.7	27.3	
H4895		24.0	24.5	25.0	25.5	26.0	26.5	
IMR 4895		25.1	25.7	26.3	26.8			
N135		22.9	23.7	24.4	25.1	25.7		
A 2495		24.7	25.2	25.7				
IMR 4166 End.		24.4	25.1	25.9	26.6			
IMR 4064		24.7	25.4	26.0				
Exterminator				24.8	25.5	26.1	26.8	
A 4064		25.1	25.7	26.3				
RE 15		25.3	25.8	26.4	26.9	27.5		
Varget		25.3	26.0	26.6				
CFE 223		26.5	27.1	27.7	28.3	28.8	29.2	29.5
Power Pro 2000 MR		27.4	27.9	28.5	29.1	29.8	30.4	
AR Comp		23.2	23.9	24.7	25.4			
<b>Energy Ft. Lbs</b>		<b>870</b>	<b>921</b>	<b>973</b>	<b>1026</b>	<b>1081</b>	<b>1137</b>	<b>1194</b>
Special Load	Powder	Grains	Velocity fps	Energy Ft. lbs				
<b>Accuracy Load</b>	IMR 8208 XBR	27.3	4000	1137				
<b>Hunting Load</b>	CFE 223	29.5	4100	1194				

## Z0 TACTICAL

Bullet Caliber Weight Type								C.O.A.L.
	#1039	.204"	39gr.	BlitzKing				2.245"
Powder ∨	Velocity >	3200	3300	3400	3500	3600	3700	3800
RE 7		19.1	19.8	20.6	21.3	22.0		
IMR 4198			19.9	20.5	21.2	21.9		
H4198			19.9	20.6	21.2	21.9		
LT 32			21.0	21.8	22.6	23.3		
A 2015		21.6	22.4	23.1	23.7	24.2		
RE 10x			20.5	21.4	22.2	22.9	23.5	
IMR 3031		21.7	22.4	23.1	23.9			
Benchmark			21.9	23.1	24.1	24.9	25.5	
H335		22.2	22.9	23.6	24.4	25.1	25.9	
IMR 8208 XBR		22.5	23.2	23.9	24.6	25.2	25.8	
H4895		22.1	22.7	23.4	24.0	24.7	25.3	
IMR 4895		22.9	23.5	24.2	24.9	25.6		
N135		21.3	22.0	22.8	23.5	24.3		
A 2495		23.1	23.7	24.3	25.0			
IMR 4166 End.		22.8	23.4	24.0	24.6	25.3		
IMR 4064		23.1	23.8	24.5	25.2	26.0		
Exterminator		22.0	22.9	23.6	24.4	25.1	25.8	
A 4064		23.6	24.3	25.0	25.7			
RE 15		23.9	24.6	25.2	25.8	26.4	27.0	
Varget		23.4	24.1	24.8	25.4	26.1	26.7	
CFE 223		24.1	25.2	26.2	27.1	27.8	28.4	28.8
Power Pro 2000 MR		26.0	26.7	27.3	27.9	28.4	29.0	
N540		23.9	24.4	24.9	25.3	25.7		
AR Comp		21.7	22.4	23.2	24.0	24.7	25.5	
<b>Energy Ft. Lbs</b>		<b>887</b>	<b>943</b>	<b>1001</b>	<b>1061</b>	<b>1122</b>	<b>1185</b>	<b>1250</b>
Special Load	Powder	Grains	Velocity fps	Energy Ft. lbs				
<b>Accuracy Load</b>	Varget	26.7	3700	1185				
<b>Hunting Load</b>	CFE 223	28.8	3800	1250				