

# 350 Remington Magnum

## Test Specifications:

Firearm Used: Model 600  
Remington

Barrel Length: 18 1/2"

Twist: 1 x 16"

## Components:

Case: Remington

Trim-to Length: 2.160"

Primer: Remington 9 1/2

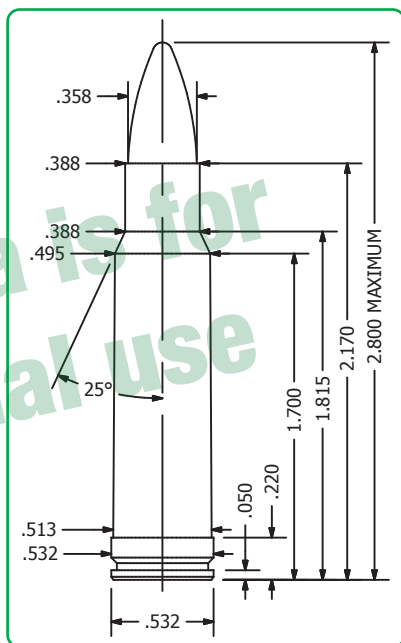
## Remarks:

Remington announced the 350 Magnum in late 1964 in their handy little Model 600 carbine. Having the same Overall length as the 6.5mm Remington Magnum, these two cartridges make up the small family of true "short" magnums. Limited to 2.800" inches in the Model 600 carbine, the Remington Magnums were intended to function in the same length action as the 243 and 308 Winchester. While both are good cartridges, neither has fared particularly well from a commercial standpoint.


As a heavy game rifle designed to be packed many miles through difficult terrain, the Model 600 was an ideal package. Ironically, the same rifle in which it was introduced helped contribute to a negative aspect of the 350 Magnum's reputation — recoil.


Chambered in the Model 600 (or the later Model 660), the 350 delivers a vicious kick. The rifle itself is as much responsible for this as the cartridge. In the May-June '81 issue of Rifle magazine, Layne Simpson described the Model 600 as "offering the biggest punch in the smallest and lightest package of any rifle produced by a U.S. manufacturer." The price paid for such performance is recoil. In a slightly heavier rifle, such as a standard Remington 700, recoil of the 350 Remington Magnum is heavy, but manageable.

Performance of the 350 closely parallels that of the 35 Whelen. This should come as no surprise though, since the two have nearly the same internal capacity. Obviously, the 350 is suitable for the same range of game as the older 35 caliber cartridge and has been used to take some of the largest species on the continent. For most hunting situations, Sierra's 225 grain spitzer boat tail is an outstanding choice for the 350 Magnum. For use on lighter game such as deer, the 200 grain round-nose delivers excellent accuracy and expansion. The 350 is a superb cartridge for its intended uses and probably deserves greater popularity than it currently enjoys.



# 350 REMINGTON MAGNUM

Bullet Caliber Weight Type								C.O.A.L.
	#2800	.358"	200gr.	RN				2.710"
Powder	Velocity	2200	2300	2400	2500	2600	2700	
IMR-4198		40.8	43.1	45.4	47.7			
IMR-3031		48.1	49.6	51.1	52.5	54.0		
IMR-4895		50.3	52.1	53.9	55.7	57.5	59.3	
IMR-4064		52.9	54.5	56.0	57.6	59.1		
IMR-4320		53.7	55.2	56.7	58.3	59.8	61.3	
H380					57.6	60.1	62.6	
<b>Energy Ft. lbs</b>		<b>2149</b>	<b>2349</b>	<b>2558</b>	<b>2775</b>	<b>3002</b>	<b>3237</b>	
Special Load	Powder	Grains	Velocity fps	Energy Ft. lb				
<b>Accuracy Load</b>	IMR-4320	59.8	2600	3002				
<b>Hunting Load</b>	IMR-4320	61.3	2700	3237				

Bullet Caliber Weight Type								C.O.A.L.
	#2850	.358"	225gr.	SBT				2.800"
Powder	Velocity	2250	2300	2350	2400	2450	2500	2550
IMR-4198		42.9	44.4	45.8				
IMR-3031		52.0	53.0	54.1	55.1	56.2	57.2	
IMR-4895		49.4	50.9	52.4	53.9	55.4	56.9	58.4
IMR-4064		51.1	52.4	53.7	55.0	56.3	57.6	58.9
IMR-4320		52.8	53.9	55.0	56.1	57.1	58.2	59.3
H380		53.5	54.9	56.3	57.7	59.1	60.5	
<b>Energy Ft. lbs</b>		<b>2529</b>	<b>2642</b>	<b>2759</b>	<b>2877</b>	<b>2998</b>	<b>3122</b>	<b>3248</b>
Special Load	Powder	Grains	Velocity fps	Energy Ft. lb				
<b>Accuracy Load</b>	IMR-4320	57.1	2450	2998				
<b>Hunting Load</b>	IMR-4320	58.2	2500	3122				