

8 x 57mm (JS) MAUSER

Test Specifications:

Firearm Used: M48 Mauser

Barrel Length: 23"

Twist: 1 x 10"

Components:

Case: Remington

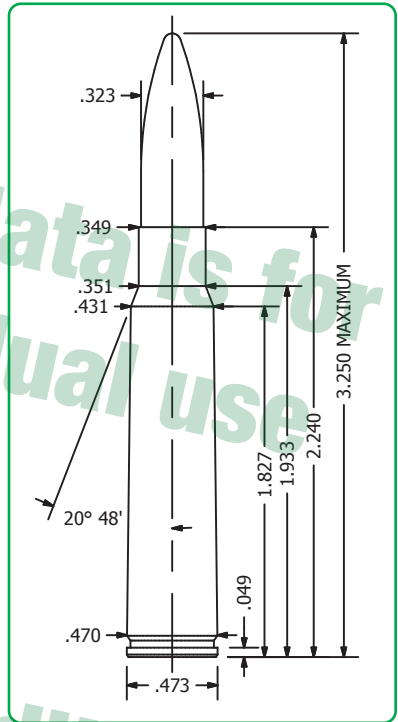
Trim-to Length: 2.230"

Primer: Remington 9 1/2


Remarks:


The 8mm Mauser, also known as the 7.92x57mm, is one of the truly great military cartridges. Adopted in the Model 88 commission rifle, the 8mm Mauser was the first successful rimless military cartridge. Designated as the 8x57mm(J), the cartridge used a .318" diameter, 227 grain round-nose bullet at around 2100 fps. In 1905, the cartridge was revised to give much higher velocities and consequently, substantially flatter trajectories. The redesigned cartridge used a pointed 154 grain bullet of slightly larger (.323") diameter at 2880 fps. While this may not sound radical by today's standards, in 1905 it was revolutionary. Designated as the 8x57(JS), the new high-velocity round made accepted infantry tactics of the time obsolete overnight. This set off a massive race among the ordnance departments of every major world power to keep pace with the German developments. In the United States, introduction of the 8x57(JS) caused us to revise the 30-03 cartridge, adopted only two years earlier, to the updated 30-06 design so well known today.

As a sporting cartridge, the 8x57mm will handle the same range of big game as the venerable 30-06. In the United States, reloading for any 8mm cartridge has been somewhat handicapped by a limited selection of bullets. While not as diverse a selection as the .30 caliber line, Sierra offers four bullets suitable for the 8x57(JS). The 150 grain Spitzer is probably the best all-around choice for deer-sized game, while the heavier 175 grain Spitzer is a good choice for larger game. Sierra's 200 grain MatchKing is the first U.S. made match bullet in this bore size, and will wring out the best accuracy potential of a good 8x57mm rifle. Due to the changes in bore diameter (the .318" J version vs. the later .323" JS version), caution should be used in loading for any 8mm Mauser that has not been thoroughly checked. No German military rifles manufactured after 1905 used the .318" bore, but if any doubt exists, have the bore slugged by a competent gunsmith.





8 X 57mm (.32) MAUSER

Bullet Caliber Weight Type						C.O.A.L.
	#2400	.323"	150gr.	SPT		3.050"
Powder ∨	Velocity >	2400	2500	2600	2700	2800
IMR-3031		42.4	43.8	45.2	46.6	48.0
IMR-4895		44.1	45.7	47.3	48.9	50.5
Varget		45.1	47.0	48.9	50.8	52.7
IMR-4064		45.1	46.6	48.1	49.6	51.1
A 2520			45.8	47.2	48.6	50.0
IMR-4320		47.1	48.7	50.3	51.9	
Viht N140		45.5	47.2	48.9		
H380			49.5	51.4	53.3	55.2
Energy Ft. lbs		1918	2081	2251	2428	2611
Special Load	Powder	Grains	Velocity fps	Energy Ft. lb		
Accuracy Load	Varget	50.8	2700	2428		
Hunting Load	IMR-4895	50.5	2800	2611		

Bullet Caliber Weight Type						C.O.A.L.	
	#2410	.323"	175gr.	SPT		3.100"	
Powder ∨	Velocity >	2200	2300	2400	2500	2600	2650
IMR-3031			41.6	43.2	44.8	46.4	
748			44.8	46.8	48.8		
IMR-4895			43.5	45.1	46.7	48.3	
Varget		42.1	43.9	45.7	47.5	49.3	
IMR-4064		43.0	44.5	46.0	47.5	49.0	
A 2520		42.9	44.1	45.3	46.5	47.7	48.3
IMR-4320		44.5	46.0	47.5	49.0	50.5	
Viht N140		43.2	44.8	46.4	48.0		
RE-15		42.5	43.8	45.1	46.4	47.7	
H380		44.6	46.8	49.0	51.2	53.4	
Viht N150		44.2	45.8	47.4	49.0		
IMR-4350		48.8	50.5	52.2	53.9		
Energy Ft. lbs		1880	2055	2238	2428	2626	2728
Special Load	Powder	Grains	Velocity fps	Energy Ft. lb			
Accuracy Load	Viht N150	47.4	2400	2238			
Hunting Load	Viht N140	48.0	2500	2428			

8 X 57mm (.323) MAUSER

	Bullet	Caliber	Weight	Type	C.O.A.L.	
		#2415	.323"	200gr. HPBT MatchKing	3.115"	
Powder	Velocity	2000	2100	2200	2250	2300
Varget		39.8	41.3	42.8	43.5	44.3
IMR-4064		38.9	40.5	42.0	42.7	
IMR-4320		40.8	42.1	43.4		
Viht N140		38.3	40.0	41.7	42.5	43.4
RE-15		39.7	41.0	42.3	42.9	43.6
H380		42.1	43.3	44.5	45.1	45.7
Viht N150		40.0	41.4	42.8	43.5	44.2
IMR-4350		45.4	46.5	47.6	48.1	48.7
Energy Ft. lbs		1776	1958	2149	2248	2349
Special Load	Powder	Grains	Velocity fps	Energy Ft. lb		
Accuracy Load	IMR-4064	42.0	2200	2149		
<i>Sierra does not recommend MatchKing bullets for hunting applications.</i>						

	Bullet	Caliber	Weight	Type	C.O.A.L.	
		#2420	.323"	220gr. SBT	3.140"	
Powder	Velocity	1900	2000	2100	2200	
Varget		37.1	39.1	41.1	43.1	
IMR-4064		37.1	39.0	40.9		
IMR-4320		38.5	40.3	42.1		
Viht N140			38.7	40.8	42.9	
RE-15				40.5	42.5	
H380		40.1	42.0	43.9		
Viht N150			39.4	41.2	43.0	
IMR-4350		43.1	44.8	46.5	48.2	
Energy Ft. lbs		1763	1954	2154	2364	
Special Load	Powder	Grains	Velocity fps	Energy Ft. lb		
Accuracy Load	IMR-4064	39.0	2000	1954		
Hunting Load	RE-15	42.5	2200	2364		