

**500 SPECIAL****Test Specifications:**

Firearm Used: Universal

Barrel Length: 10.7"

Twist: 1-18"

**Components:**

Case: Starline

Trim-to Length: 1.264"

Primer: WLR

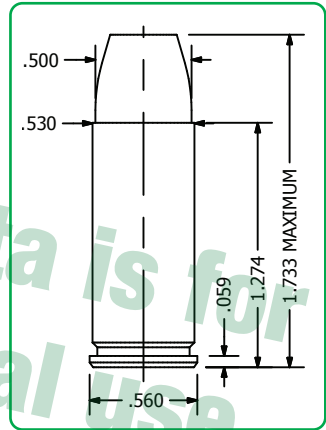
**Remarks:**

The 500 S&W Special is a shorter version of the .500 S&W Magnum with a drastically reduced load. Unlike the .38 Special/.357 Magnum and the 44 Special/44 Magnum, the 500 S&W Magnum came out before the Special version was developed.


The purpose of the .500 Special is to be able to shoot less punishing loads. The Special loads develop a muzzle energy closer to that of the .44 Magnum cartridge, in firearms chambered for the .500 S&W Magnum. It is possible that firearms chambered for the .500 S&W Special only will be developed. None are available at this time.

As with any Special, using Special loads in a Magnum chamber will leave a carbon buildup in the cylinder just ahead of the throat section. With normal cleaning and attention given to this area, no problems should be incurred.


Starline Brass is producing quality brass for the 500 Special.



**500 SPECIAL**

Bullet Caliber Weight Type		C.O.A.L.						
	#5350 .500" 350gr. JHP	1.720"						
Powder ∨	Velocity >	1050	1150	1250	1350	1400	1450	1500
Tite Group		10.0	11.6					
Power Pistol				14.6	15.5	16.0		
N350			14.3	15.9				
2400					23.2	24.6		
Enforcer						25.8	27.0	28.2
A#9				22.3	23.7	24.4		
A 4100						25.8	27.2	
N110				22.1	24.0	25.0		
H110					26.4	27.9	29.3	30.8
Win 296						27.1	28.8	30.5
IMR 4227				27.9	30.1			
A 5744			27.1	29.4	31.7			
A 1680				33.8	37.1			
Power Pro 300 MP						28.2	29.6	31.0
<b>Energy Ft. Lbs</b>		<b>857</b>	<b>1028</b>	<b>1214</b>	<b>1416</b>	<b>1523</b>	<b>1634</b>	<b>1748</b>
Special Load	Powder	Grains	Velocity fps	Energy Ft. lb				
<b>Accuracy Load</b>	N110	25.0	1400	1523				
<b>Hunting Load</b>	Enforcer	28.2	1500	1748				

**500 SPECIAL**

Bullet		Caliber	Weight	Type						C.O.A.L.	
		#5400	.500"	400gr.	JSP						1.720"
Powder	Velocity	900	1000	1100	1200	1300	1350	1400			
CFE Pistol			11.2	12.4							
Longshot			11.6	13.0							
3N38		14.4	15.2	16.1	16.9						
Win 296					23.6	25.9	27.0	28.2			
IMR 4227			22.5	24.7	27.0						
A 5744				26.2	28.6						
A 1680					32.7	35.6					
<b>Energy Ft. Lbs</b>		<b>719</b>	<b>888</b>	<b>1075</b>	<b>1279</b>	<b>1501</b>	<b>1618</b>	<b>1741</b>			
Special Load	Powder	Grains	Velocity fps	Energy Ft. lb							
<b>Accuracy Load</b>	Longshot	13.0	1100	1075							
<b>Hunting Load</b>	Win 296	28.2	1400	1741							

Do not edit or  
redistribute.