

45 COLT (RUGER, COLT, DAN WESSON, FREEDOM ARMS)**Test Specifications:**

Firearm Used: Universal

Barrel Length: 5.6"

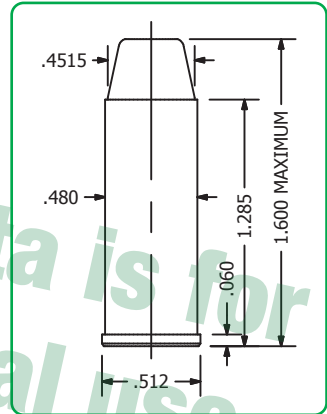
Twist: 1-16"

Components:

Case: Starline

Trim-to Length: 1.280"

Primer: WLP


**Remarks:**

Although it never really faded from the scene, the old 45 Colt has seen a recent revival. This renewed interest has resulted in the development of several new revolvers of modern design able to withstand much higher pressures than the old original 45 Colt revolvers. While they may look similar to the old SAAs and modern replicas, these new designs are able to take loads that would prove disastrous in the older guns or their present day reincarnations.


Originally designed for the Colt Single Action Army revolver, the 45 Colt case has been criticized for its minuscule rim. Since the Colt SAA used a rod ejector, the rim served only to headspace the case and was not needed to aid in extraction. This was a valid complaint, verified by the fact that when the military went to a double action revolver using a swing out cylinder (the Colt New Service in 1909), the case's rim was enlarged from .508" to .536" in diameter. This gave the extractor star a more positive grasp of the cartridge during ejection, but created some difficulty when the government disposed of its surplus 45 Colt ammunition in later years. Users of Colt Single Action Army revolvers found that the 1909 cartridge could be loaded only in every other chamber, as the case rims would interfere with each other when loaded in adjacent chambers! Other than the difference in rim diameter, the 1909 cartridge was identical to the original 45 Colt case.

Since most of the modern designs intended for use with this data still use a rod ejector, this is of little concern. However, it is something to be aware of in guns using a swing out cylinder, such as the Colt Anaconda and Dan Wesson. The following data is intended only for use with those guns listed above and is not to be used in Colt SAAs or modern replicas, Colt 1909 New Service, or Smith & Wesson 25 5 Revolvers.

45 COLT (RUGER, COLT, DAN WESSON, FREEDOM ARMS)

| Bullet Caliber Weight Type | | C.O.A.L. | | | | | | |
|---|-------------------------|------------|--------------|---------------|------------|------------|-------------|-------------|
|  | #8820 .4515" 240gr. JHC | 1.600" | | | | | | |
| Powder ∨ | Velocity > | 900 | 1000 | 1100 | 1200 | 1300 | 1400 | 1500 |
| Clays | | 7.2 | 8.1 | 9.0 | | | | |
| Red | | 6.8 | 8.0 | 9.2 | 10.3 | | | |
| Clay Dot | | 7.5 | 8.5 | 9.5 | | | | |
| Target | | 7.3 | 8.4 | 9.5 | 10.6 | | | |
| Tite Group | | 7.3 | 8.4 | 9.5 | | | | |
| American Select | | 8.0 | 8.9 | 9.9 | | | | |
| A#2 | | 7.9 | 8.9 | 9.9 | | | | |
| Zip | | 8.9 | 9.9 | 11.0 | 12.0 | | | |
| N350 | | | | | 13.2 | 14.4 | | |
| Win 572 | | | | | 12.7 | 13.7 | | |
| A#7 | | | | | | 18.5 | 19.7 | |
| 2400 | | | | | | 22.9 | 24.2 | |
| Enforcer | | | | | | 25.6 | 26.6 | 27.5 |
| N110 | | | | | | 20.9 | 22.4 | |
| H110 | | | | | | | 27.0 | 28.7 |
| Win 296 | | | | | | | 27.7 | 29.2 |
| IMR 4227 | | | | | 25.8 | 27.2 | | |
| A 5744 | | | | | 25.3 | 27.1 | | |
| Power Pro 300 MP | | | | | | 27.2 | 28.7 | 30.2 |
| Energy Ft. Lbs | | 432 | 533 | 645 | 767 | 900 | 1044 | 1199 |
| Special Load | Powder | Grains | Velocity fps | Energy Ft. lb | | | | |
| Accuracy Load | Clays | 9.0 | 1100 | 645 | | | | |
| Hunting Load | Enforcer | 27.5 | 1500 | 1199 | | | | |

45 COLT (RUGER, COLT, DAN WESSON, FREEDOM ARMS)

| Bullet | | Caliber | Weight | Type | C.O.A.L. | | | | | |
|---|----------|------------|------------|------------|------------|------------|-------------|-------------|--|--|
|  | #8830 | .4515" | 300gr. | JSP | 1.650" | | | | | |
| Powder | Velocity | 750 | 850 | 950 | 1050 | 1150 | 1250 | 1300 | | |
| N320 | 7.3 | 8.1 | | | | | | | | |
| Zip | | 8.5 | 9.6 | | | | | | | |
| Unique | | 8.3 | 9.3 | | | | | | | |
| Power Pistol | | | | 9.7 | 10.8 | | | | | |
| N330 | 8.1 | 8.9 | 9.7 | | | | | | | |
| N340 | | 8.9 | 9.8 | | | | | | | |
| True Blue | | | | 10.3 | 11.6 | | | | | |
| A#5 | | | | 11.5 | 13.1 | | | | | |
| Auto Comp | | | | 9.8 | 11.0 | | | | | |
| N350 | | 9.5 | 10.5 | | | | | | | |
| Win 572 | | | | 9.8 | 10.9 | | | | | |
| A#7 | | | | 13.0 | 14.4 | | | | | |
| 2400 | | | | 16.3 | 17.7 | 19.1 | | | | |
| A 4100 | | | | 16.8 | 18.0 | 19.3 | | | | |
| N110 | | 15.1 | 16.2 | 17.3 | 18.4 | | | | | |
| H110 | | | | | 19.7 | 21.3 | 23.0 | | | |
| Win 296 | | | | | 19.8 | 21.5 | 23.2 | 24.0 | | |
| IMR 4227 | | | | 20.4 | 21.9 | | | | | |
| A 5744 | | | | 20.7 | 22.6 | | | | | |
| Power Pro 300 MP | | | | | 20.1 | 21.9 | 23.7 | 24.6 | | |
| Energy Ft. Lbs | | 375 | 481 | 601 | 734 | 881 | 1041 | 1126 | | |
| Special Load | Powder | Grains | Velocity | fps | Energy | Ft. lb | | | | |
| Accuracy Load | 2400 | 19.1 | 1150 | | 881 | | | | | |
| Hunting Load | Win 296 | 24.0 | 1300 | | 1126 | | | | | |