

# 44 SPECIAL

## Test Specifications:

Firearm Used: Universal

Barrel Length: 5.638"

Twist: 1-14"

## Components:

Case: Starline

Trim-to Length: 1.155"

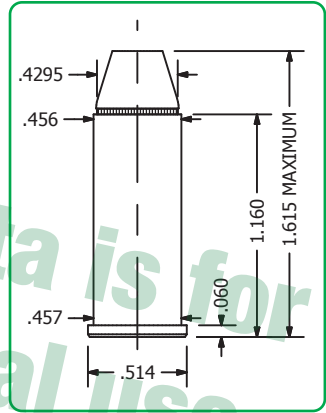
Primer: WLP

## Remarks:


The 44 Special gets little attention these days, but is nonetheless an American classic. The 44 Special is a lengthened version of the old 44 S&W Russian, which in turn, was a lengthened version of the 44 S&W American. Introduced in 1908, the 44 Special was intended to produce slightly higher velocity than the older 44 Russian, while retaining that cartridge's phenomenal accuracy. The original factory loadings called for a 246 grain round nose lead bullet, using either 26 grains of black powder or an equivalent charge of smokeless powder, to give approximately 780 fps. The 44 Special was primarily intended as a target cartridge, and was widely touted as being the most accurate handgun cartridge ever developed.

Despite the fact that the 44 Special was introduced in the heavy framed S&W 44 Hand Ejector (aka; the 44 Triple Lock), loads for the Special remained fairly mild. Because of its relatively low velocity and round nose bullet design, the 44 Special never earned a reputation as a good stopping cartridge. Then came Elmer Keith. Keith began to experiment with heavy charges of slow burning powders and cast semi wadcutter bullets of his own design. His work eventually led to the 1955 introduction of the 44 Magnum, which in essence, was the third generation descendant of the 44 S&W American cartridge.


While Keith's work proved to be a landmark in cartridge development, we strongly recommend that loads in the 44 Special be kept fairly mild. Standard working pressure for this cartridge is only 15,000 psi, a combination that is easy on both the gun and the shooter. If 44 Magnum level performance is required, we strongly suggest that a 44 Magnum be purchased to begin with. Failure to follow this recommendation has caused the premature retirement of many fine old 44 Special revolvers. Over a century after its introduction, it is still a first rate cartridge.




**44 SPECIAL**

Bullet Caliber Weight Type		C.O.A.L.						
	#8600 .4295" 180gr. JHC	1.490"						
Powder ∨	Velocity >	825	875	900	925	950	975	1000
Red Dot			5.2	5.4	5.6	5.8	6.0	
Bullseye				5.6	5.7	5.9	6.1	6.2
Tite Group			5.4	5.6	5.8	6.0	6.1	6.3
Trail Boss	7.5	7.9	8.0	8.2	8.4	8.5	8.7	
Zip			6.9	7.1	7.3	7.5	7.7	7.9
Unique	6.0	6.4	6.6	6.8	7.0	7.2	7.4	
Universal			6.7	6.8	7.0	7.2	7.4	7.5
Power Pistol			6.9	7.1	7.3	7.5	7.7	7.9
True Blue			7.0	7.2	7.4	7.6	7.8	8.0
A#5				8.4	8.7	8.9	9.2	9.4
2400						14.0	14.3	14.5
<b>Energy Ft. Lbs</b>		<b>272</b>	<b>306</b>	<b>324</b>	<b>342</b>	<b>361</b>	<b>380</b>	<b>400</b>
Special Load	Powder	Grains	Velocity fps	Energy Ft. lb				
<b>Accuracy Load</b>	Bullseye	6.2	1000	400				
<b>Hunting Load</b>	Bullseye	6.2	1000	400				


## 44 SPECIAL

		Bullet Caliber Weight Type							C.O.A.L.
		#8620 .4295" 210gr. JHC							1.465"
Powder v	Velocity >	650	750	800	850	900	950	1000	
Red Dot		4.1	4.6	4.9					
Clays				4.7	5.1				
Bullseye			4.4	4.8	5.1				
Tite Group		4.0	4.6	4.9	5.2				
Trail Boss			5.1	6.1					
Zip				6.2	6.5	6.9			
Unique					6.3	6.7			
Universal				6.1	6.4	6.7			
Power Pistol				6.1	6.5	6.8	7.1		
True Blue			6.1	6.5	6.9	7.3			
A#5					8.1	8.5	9.0		
Auto Comp					7.1	7.7			
CFE Pistol				6.4	6.9	7.4			
Silhouette					8.2	8.5	8.7		
3N37			7.5	7.8	8.2	8.5	8.9		
N350			7.2	7.4	7.7	8.0	8.3		
2400			12.1	12.4	12.7	13.0	13.4	13.7	
3N38				9.2	9.6	9.9	10.2	10.6	
N110			12.1	12.5	12.9	13.3	13.7		
H110						15.3	15.7	16.1	
IMR 4227					15.4	16.2			
<b>Energy Ft. Lbs</b>		<b>197</b>	<b>262</b>	<b>298</b>	<b>337</b>	<b>378</b>	<b>421</b>	<b>466</b>	
Special Load	Powder	Grains	Velocity fps	Energy Ft. lb					
<b>Accuracy Load</b>	Power Pistol	7.1	950	421					
<b>Hunting Load</b>	2400	13.7	1000	466					


## 44 SPECIAL

Bullet Caliber Weight Type		C.O.A.L.						
	#8605 .4295" 220gr. FPJ Match	1.480"						
Powder ∨	Velocity >	650	750	800	850	900	950	1000
Red Dot		4.3	4.9	5.2				
Clays			4.9	5.2	5.5			
Bullseye			5.1	5.4	5.8	6.2		
Tite Group			5.0	5.4	5.7			
Zip			6.5	6.8	7.1	7.4		
Unique				6.5	6.7	7.0		
Universal				6.4	6.7	7.0	7.3	
Power Pistol				6.6	7.0	7.4	7.8	
True Blue					7.3	7.8		
A#5				7.9	8.4	8.9		
Auto Comp					7.5	7.8	8.2	
CFE Pistol					7.2	7.5	7.9	
Silhouette			7.7	8.0	8.3	8.6	8.9	9.2
3N37			7.9	8.2	8.5	8.8		
N350				7.7	8.0	8.3	8.6	
Win 572					7.4	7.7	8.1	8.5
2400				12.2	12.5	12.9	13.2	
3N38			9.3	9.5	9.8	10.0	10.3	10.5
N110				12.5	12.9	13.3	13.7	
H110						15.3	15.7	16.1
IMR 4227				15.4	16.0			
<b>Energy Ft. Lbs</b>		<b>206</b>	<b>275</b>	<b>313</b>	<b>353</b>	<b>396</b>	<b>441</b>	<b>488</b>
Special Load	Powder	Grains	Velocity fps	Energy Ft. lb				
<b>Accuracy Load</b>	Red Dot	5.2	800	313				
<b>Hunting Load</b>	Silhouette	9.2	1000	488				

## 44 SPECIAL

Bullet		Caliber	Weight	Type	C.O.A.L.				
	#8610	.4295"	240gr.	JHC	1.480"				
Powder	Velocity	> 550	650	700	750	800	850	900	
Red Dot		4.3	4.5	4.6					
Clays		4.2	4.4	4.7					
Bullseye		4.3	4.5	4.7					
Tite Group		4.3	4.6	4.8					
Trail Boss		5.1	5.7						
Zip		5.4	5.7	6.0	6.3				
Unique		5.2	5.5	5.8	6.1				
Universal						6.3	6.7		
True Blue					6.5	7.1			
Auto Comp				5.9	6.3	6.6	7.0		
CFE Pistol			5.3	5.7	6.0	6.3	6.7		
3N37			6.9	7.2	7.5	7.8	8.1		
N350			6.2	6.5	6.8	7.1	7.4		
Win 572				5.9	6.2	6.5	6.9		
2400				10.9	11.2	11.6	11.9	12.2	
3N38				8.2	8.5	8.8	9.1		
N110					11.7	12.1	12.5		
H110						13.7	14.1	14.6	
IMR 4227			13.4	13.9	14.5				
<b>Energy Ft. Lbs</b>		<b>161</b>	<b>225</b>	<b>261</b>	<b>300</b>	<b>341</b>	<b>385</b>	<b>432</b>	
Special Load	Powder	Grains	Velocity	fps	Energy	Ft. lb			
<b>Accuracy Load</b>	Auto Comp	7.0	850		385				
<b>Hunting Load</b>	2400	12.2	900		432				

**44 SPECIAL**

Bullet		Caliber	Weight	Type	C.O.A.L.				
	#8615	.4295"	250gr.	FPJ Match	1.470"				
Powder	Velocity	550	650	700	750	800	850	900	
Bullseye		4.4	4.7						
Tite Group		4.3	4.7						
Trail Boss	3.9	4.9							
Unique		5.0	5.3	5.6					
Universal			5.5	5.8	6.0				
Power Pistol			5.7	6.1	6.4				
A#5			6.7	7.2	7.7				
Auto Comp			5.9	6.2	6.5				
CFE Pistol				5.9	6.2				
3N37		6.7	7.0	7.3	7.6				
N350				6.7	7.0				
Win 572				5.8	6.1	6.4			
3N38			7.9	8.2	8.5	8.8			
N110				11.4	11.7	12.0			
H110							13.5	14.0	
<b>Energy Ft. Lbs</b>		<b>168</b>	<b>234</b>	<b>272</b>	<b>312</b>	<b>355</b>	<b>401</b>	<b>450</b>	
Special Load	Powder	Grains	Velocity fps	Energy Ft. lb					
<b>Accuracy Load</b>	3N38	8.8	850	401					
<b>Hunting Load</b>	H110	14.0	900	450					