

414 SUPER MAG

Test Specifications:

Firearm Used: Wesson Arms 741
4V8S

Barrel Length: 8"

Twist: 1 x 18"

Components:

Case: Starline

Trim-to Length: 1.605"

Primer: Federal 210M

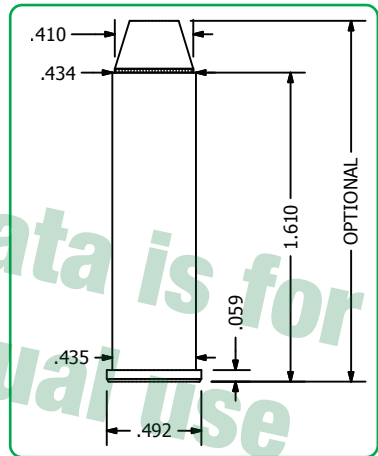
Remarks:

The 414 Super Mag is one of our newest cartridges... dating back to December of 1975. The 414 was one of a series of Super


Mag cartridges developed by the late Elgin Gates, specifically for the emerging sport of IHMSA silhouette shooting. All of these cartridges share the same 1.610" case length, and were intended to provide improved long range performance for the silhouette game. Others in this family include the 7mm, 305, 357, 375, 445, 455, 505, and 610 Super Mags. Of these, only the 357 Super Mag (aka; 357 Remington Maximum) and the 445 Super Mag have enjoyed any degree of commercial success. The 414 languished on the drawing board until Wesson Arms adopted it in 1994. The cartridge is also known as the 414 E.T. Gates, in honor of its designer.

During our testing with the 414, we experienced erratic results with the 170 grain JHC bullet. As a result, data for the lighter bullet has not been included. Like its stablemates, the 357 and 445 Super Mag, we found the 414 to be somewhat temperamental. Functioning well with only a narrow range of component combinations, the 414 is a highly specialized cartridge. Our best results were obtained with Accurate Arms 1680 and Vihtavuori N120 powders, and the 210 grain bullet. The 414 produces more than enough velocity to make a good hunting cartridge, capable of taking the same range of big game as the 44 Magnum. The 44 and 45 caliber cartridges, however, have an undeniable advantage in terms of flexibility and bullet selection.

So far, no other firearms manufacturer has expressed any interest in the 414. Given the fact that the needs of silhouette competition seem to be well met by several more conventional cartridges, the future of the 414 appears less than certain.



414 SUPER MAG

| Bullet Caliber Weight Type | | | | | | C.O.A.L. |
|---|-----------|------------|--------------|---------------|------------|-------------|
|  | #8520 | .410" | 210gr. | JHC | | 1.880" |
| Powder | Velocity | 1300 | 1350 | 1400 | 1450 | 1500 |
| H110 | | | 24.6 | 25.5 | 26.4 | 27.4 |
| 296 | | | 24.5 | 25.5 | 26.5 | 27.6 |
| Viht N120 | | | 27.7 | 28.8 | 30.0 | |
| A 1680 | | 28.7 | 29.3 | 29.9 | 30.6 | |
| Energy Ft. lbs | | 788 | 850 | 914 | 980 | 1049 |
| Special Load | Powder | Grains | Velocity fps | Energy Ft. lb | | |
| Accuracy Load | A 1680 | 29.9 | 1400 | 914 | | |
| Hunting Load | Viht N120 | 30.0 | 1450 | 980 | | |

only.

Do not edit or
redistribute.