

41 REMINGTON SPECIAL

Test Specifications:

Firearm Used: Universal

Barrel Length: 5.788"

Twist: 1-14"

Components:

Case: Starline

Trim-to Length: 1.155"

Primer: WLP

Remarks:

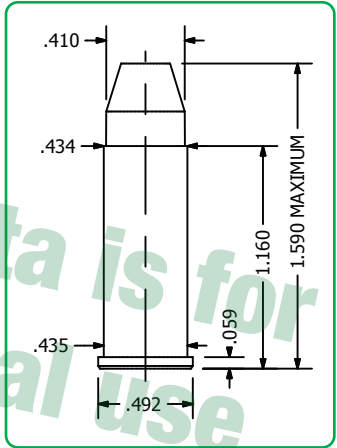
In 1932, Colt researched a proposed ".41 Special" cartridge, but that shared only a name with the modern wildcat, having different measurements and even different bore diameter (.385). The concept of a .41 Special was later brought up by gunwriter Elmer Keith in his 1955 work *Sixguns*, where he proposed the .41 as an analog to the .44 Special cartridge, but the idea did not gain ground.

Keith and Bill Jordan later proposed the .41 Magnum cartridge, which was formally adopted by Remington Arms in 1964. Thus counter to common practice, a "magnum" offering was standardized before a weaker "special" variant was ever introduced.


In the 1980s pistolsmith Hamilton Bowen revived the idea of a 200gr bullet at 900fps in his custom designs.

While large scale production firearms have not been produced for this niche chambering, custom gunsmiths have adapted existing firearms to use it, generally by machining a new cylinder and expanding the bore of existing .357 Magnum revolvers. Ammunition is not commercially produced, but boutique runs of brass for handloading, with proper .41 Special headstamps, have been issued.


Among the first gunsmiths to make a purpose built firearm for this chambering was Hamilton Bowen, who modified the .357 caliber Ruger Security Six and GP100 revolvers to accommodate the .41 Special, as well as a Colt revolver and a S&W 586.



41 REMINGTON SPECIAL

Bullet Caliber Weight Type							C.O.A.L.	
	#8500	.410"	170gr.	JHC			1.470"	
Powder ∨	Velocity >	750	850	900	950	1000	1050	1100
Tite Group			4.7	5.0	5.3	5.6		
American Select	4.6	5.1	5.4					
BE 86					6.5	6.9	7.3	
Win 231				6.3	6.6	6.9		
Unique		5.9	6.3	6.6				
Universal			6.2	6.5	6.9	7.2		
Power Pistol			6.5	6.9	7.2	7.6		
N340					7.0	7.3		
True Blue				6.6	7.0	7.5		
A#5						8.4	8.9	
Auto Comp			6.6	6.9	7.2	7.5		
CFE Pistol			6.2	6.6	6.9	7.2		
N350				7.5	7.9	8.2	8.5	
Win 572					7.1	7.3	7.6	
A#7						10.5	11.1	
Longshot						8.0	8.4	
TCM							13.0	13.5
A 4100							14.3	14.8
3N38					9.5	9.9	10.3	
N110						13.0	13.4	
H110							15.5	16.0
Energy Ft. Lbs		212	273	306	341	377	416	457
Special Load	Powder	Grains	Velocity fps	Energy Ft. lb				
Accuracy Load	Power Pistol	7.6	1050	416				
Hunting Load	TCM	13.5	1100	457				

41 REMINGTON SPECIAL

		Bullet Caliber Weight Type							C.O.A.L.
		#8520 .410" 210gr. JHC							1.460"
Powder ▾	Velocity >	600	650	700	750	800	850	900	
BE 86					5.0	5.4	5.7		
Win 231					4.9	5.2			
Unique		4.6	4.8	5.0	5.2	5.4			
Universal					5.3	5.5	5.8		
Power Pistol						5.6	6.0		
N340				5.2	5.4	5.7	5.9		
A#5						6.7	7.1		
Auto Comp				5.5	5.7	6.0			
CFE Pistol					5.3	5.6	5.9		
N350				5.9	6.2	6.4	6.6		
Win 572					5.5	5.8	6.2		
A#7							8.5	9.0	
Longshot						6.2	6.5	6.8	
TCM						10.3	10.7	11.1	
A 4100							11.0	11.4	
3N38					7.5	7.8	8.1	8.5	
N110					10.3	10.7	11.0	11.4	
H110							12.2	12.7	
Energy Ft. Lbs		168	197	228	262	298	337	378	
Special Load	Powder	Grains		Velocity fps		Energy Ft. lb			
Accuracy Load	BE 86	5.7		850		337			
Hunting Load	A#7	9.0		900		378			