

# 41 Remington Magnum

## Test Specifications:

Firearm Used: Universal

Barrel Length: 5.788"

Twist: 1-14"

## Components:

Case: Starline

Trim-to Length: 1.285"

Primer: WLP

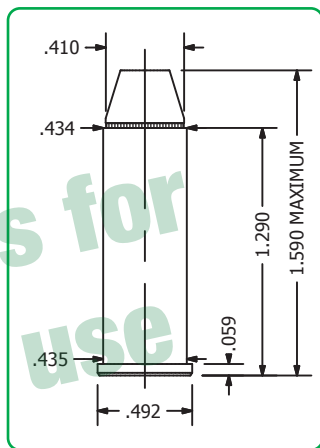
## Remarks:

Introduced in 1964, the 41 Magnum joined the 357 and 44 as the third member of the magnum handgun family.


Intended to provide the ideal cartridge for law enforcement, the concept of the 41 Magnum was pushed upon both Remington and Smith & Wesson by Elmer Keith, Bill Jordan, and other notable handgunners. The police load that was originally suggested was a 210-220 grain lead semi wadcutter, pushed at around 950 to 1000 fps. The first load to appear, however, came quite close to duplicating the performance of the 44 Magnum. Not surprisingly, police administrators gave the 41 little more than a cursory glance. Eventually, Remington did produce a reduced loading, more in line with the original intent of the cartridge.

Regardless of its police acceptance, the 41 took little time to become one of the most controversial cartridges ever produced. Those who touted the 357 accused the 41 of generating too much recoil. On the other extreme, fans of the 44 Magnum viewed the 41 as nothing better than "second best." One point stands out in this little debate; those who have truly taken the time to work with the 41 Magnum tend to be very loyal to it. It's an outstanding cartridge, and deserves to be far more popular than it is.


Loading for the 41 Magnum follows the same basic guidelines as any other magnum type cartridge. Slow burning powders such as H110, Alliant 2400 and Winchester's 296 are top performers in terms of both accuracy and velocity. With this type of load, magnum primers and a firm roll or profile crimp are strongly recommended for best ignition. With proper bullet selection, the 41 is easily capable of tackling the same general range of game, as is the 44 Magnum. While it does offer a slightly flatter trajectory than the 44, the two are virtually indistinguishable in the field.



# 41 Remington Magnum

Bullet		Caliber	Weight	Type						C.O.A.L.	
		#8500	.410"	170gr.	JHC						1.570"
Powder	Velocity	1150	1250	1350	1450	1550	1650	1700			
American Select	8.3	9.0									
BE 86					11.5	12.5					
Unique	9.7		10.7								
Universal				10.4	11.3						
Power Pistol					11.9	12.8					
N340	9.6		10.6								
True Blue				11.6	12.6						
A#5					13.8	15.1					
Auto Comp				10.9	11.9						
CFE Pistol				10.7	11.7						
N350				11.2	12.2						
Win 572				10.9	11.7						
A#7					15.6	16.6					
Longshot					12.1	13.2					
Enforcer						21.5	23.0	23.7			
TCM							20.5	21.3			
A#9						18.8	19.7				
A 4100	19.4		21.1	22.7	23.5						
3N38				13.8	14.7						
N110					19.5	21.2					
Lil Gun							23.5	25.1			
H110						22.8	24.3	25.1			
Win 296						23.3	24.7	25.3			
Power Pro 300 MP							25.1	25.7			
<b>Energy Ft. Lbs</b>	<b>499</b>	<b>590</b>	<b>688</b>	<b>794</b>	<b>907</b>	<b>1028</b>	<b>1091</b>				
Special Load	Powder	Grains	Velocity fps	Energy Ft. lb							
<b>Accuracy Load</b>	TCM	21.3	1700	1091							
<b>Hunting Load</b>	Enforcer	23.7	1700	1091							

# 41 Remington Magnum

Bullet Caliber Weight Type		C.O.A.L.						
	#8520 .410" 210gr. JHC	1.570"						
Powder ∨	Velocity >	1050	1150	1250	1350	1400	1450	1500
BE 86				9.6	10.6			
Unique	8.0	8.8						
Power Pistol				10.0	10.9			
A#5				11.9	12.8			
Auto Comp		9.4	10.3					
N350		9.5	10.3					
Win 572		9.4	10.4					
A#7		12.5	13.4	14.2				
Longshot		9.5	10.4					
2400					16.7	17.4		
Enforcer						18.9	19.6	20.2
TCM							17.9	18.7
A#9					16.3	16.8	17.3	
A 4100							18.6	19.8
3N38		11.3	12.2	13.1				
N110					16.5	17.3	18.1	
Lil Gun							20.1	21.0
H110						20.1	20.9	21.8
Win 296						20.1	21.0	21.8
A 5744			20.5	22.1				
Power Pro 300 MP							21.4	22.1
<b>Energy Ft. Lbs</b>		<b>514</b>	<b>617</b>	<b>728</b>	<b>850</b>	<b>914</b>	<b>980</b>	<b>1049</b>
Special Load	Powder	Grains	Velocity fps	Energy Ft. lb				
<b>Accuracy Load</b>	N350	10.3	1250	728				
<b>Hunting Load</b>	Enforcer	20.2	1500	1049				