

9mm LUGER

Test Specifications:

Firearm Used: Universal

Barrel Length: 4"

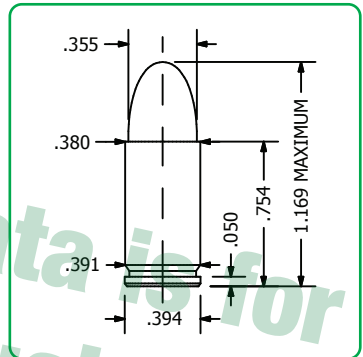
Twist: 1-10"

Components:

Case: Starline

Trim-to Length: 0.750"

Primer: WSP



Remarks:

Although it was introduced in 1902, the 9mm Luger was actually adopted by the German navy two years later. The German army adopted the cartridge four years later, and has kept it in service ever since. Through a strange turn of events, the 9mm Luger has become the most successful military pistol cartridge in the world.

Here in the United States, the 9mm was almost unheard of until the 1950's, when Smith & Wesson began developing a series of 9mm handguns for the police and military market. Domestic interest in the 9mm was lukewarm until the late '70s and early '80s, when the old war horse really took off. Several factors account for this, including the military's adoption and a sudden appearance of several good-quality, high-capacity 9mm pistols. Today, the 9mm is one of the most popular cartridges among local, state and federal law enforcement agencies. Despite its police usage, it has never really caught on for combat competition among U.S. IPSC shooters. In all fairness, this is largely because of regulations that preclude this cartridge specifically. Variants, such as the 9x21mm, and the similar 38 Super have dominated the sport for the last few years.

Reloading for 9mm is not difficult, but one should remember that it is a high pressure cartridge. Small changes in component combinations can result in significant pressure increases and require careful development. Sierra offers a wide range of .355" bullets, adding to the 9mm's versatility. The Sierra V-Crown bullets have added even more effectiveness to this caliber. As with most other cartridges intended for use in autoloading pistols, we recommend a firm taper crimp. The 9mm is a good cartridge with a long and illustrious history, as well as a bright future ahead.

Special Note: There is a +P cartridge available for this cartridge. The gun must be rated for +P as well.

9MM Luger

S.A.A.M.I. 35,000 PSI

Bullet	Caliber	Weight	Type	C.O.A.L.
#8100	.355"	90 gr	JHP	1.010"
#9990	.355"	90 gr	JHP V-Crown	1.010"
#8105	.355"	95 gr	FMJ	1.020"

Powder	Velocity >	1200	1250	1300	1375	1400	1425	1500
Bullseye				4.7	5.1	5.2		
Titegroup	4.2	4.5	4.7					
N320	4.5	4.7	4.9					
AA #2	4.3	4.6						
ZIP	4.9	5.1	5.3					
231	4.9	5.1	5.3					
BE-86						6.7	6.9	7.4
Universal			5.2	5.5	5.6			
Power Pistol			6.1	6.7				
N340	5.2	5.4	5.6	5.9				
AA #5		6.7	7.0					
SW Auto Pistol	6.1	6.5	6.8					
HS-6		6.6	6.9	7.2	7.3			
Auto-Comp		5.8	6.1	6.4	6.5			
CFE Pistol		5.4	5.7	6.0	6.1			
3N37			6.6	7.0	7.2	7.3		
AA #7		7.9	8.2	8.6				
Energy Ft. Lbs	288	312	338	378	392	406	450	

Special Load	Powder	Grains	Velocity fps	Energy Ft. Lbs
Accuracy Load	Bullseye	5.2	1400	392
Hunting Load	3N37	7.3	1425	406

Sierra does not recommend MatchKing bullets for hunting applications.



INDICATES MAXIMUM LOAD - USE CAUTION
LOADS LESS THAN MINIMUM CHARGES SHOWN ARE NOT RECOMMENDED.

9MM Luger**S.A.A.M.I. 35,000 PSI**

Bullet	Caliber	Weight	Type	C.O.A.L.
#8110	.355"	115 gr	JHP	1.050"
#8115	.355"	115 gr	FMJ	1.100"

Powder	Velocity >	1000	1050	1075	1100	1150	1200	1250
Bullseye				4.0	4.3	4.5		
Silhouette					4.9	5.2	5.5	5.7
Titegroup			3.5	3.6	3.8	4.0		
N320	3.7	3.9	4.0	4.1				
AA#2	3.4	3.6	3.8					
Unique					4.5	4.8	5.1	
BE-86						4.9	5.2	5.4
Universal					4.9	5.1	5.3	
Power Pistol						5.6	5.9	6.1
N340			4.3	4.4	4.5	4.8		
AA#5			6.0	6.2	6.3	6.6	6.9	
Auto Pistol				5.5	5.7	6.0	6.3	
HS-6				5.8	5.9	6.2	6.5	
Auto Comp				4.8	4.9	5.2	5.4	
CFE Pistol					4.7	5.0	5.2	
3N37					5.2	5.6	5.9	
AA#7						7.2	7.6	8.0
Energy Ft. Lbs		255	281	295	309	338	368	399

Special Load	Powder	Grains	Velocity fps	Energy Ft. Lbs
Accuracy Load	3N37	5.9	1200	368
Hunting Load	Silhouette	5.7	1250	399

Sierra does not recommend MatchKing bullets for hunting applications.



INDICATES MAXIMUM LOAD - USE CAUTION
LOADS LESS THAN MINIMUM CHARGES SHOWN ARE NOT RECOMMENDED.

9MM Luger**S.A.A.M.I. 35,000 PSI**

Bullet	Caliber	Weight	Type	C.O.A.L.
#8124	.355"	124 gr	JHP	1.130"
#9924	.355"	124 gr	JHP V-Crown	1.100"
#8120	.355"	125 gr	FMJ	1.100"
#8125	.355"	125 gr	JHP	1.100"
#9925	.355"	125 gr	JHP V-Crown	1.100"

Powder	Velocity >	975	1000	1050	1075	1100	1125	1150
Bullseye		3.9	4.0	4.2				
Titegroup		3.8	3.9	4.1				
AA#2		3.8	4.0	4.2				
231		4.2	4.3	4.5				
Unique			4.3	4.6	4.8			
BE-86				5.0	5.2	5.4	5.6	5.7
Universal	4.4	4.5	4.7	4.8	4.9			
Power Pistol				5.3	5.5	5.6	5.8	
N340		4.5	4.8	4.9	5.0			
Auto Pistol		5.6	5.9	6.0	6.2			
AA#5			5.8	6.1	6.2	6.4	6.5	
HS-6	5.6	5.7	5.8	6.1	6.3			
Auto Comp		4.9	5.0	5.1	5.3	5.5		
CFE Pistol		4.6	4.8	5.0	5.1			
3N37			5.3	5.6	5.7	5.8	5.9	6.1
N350			5.0	5.3	5.4	5.5	5.7	
AA#7			6.5	6.9	7.0	7.2	7.3	7.5
Energy Ft. Lbs		262	275	304	318	333	348	364

Special Load	Powder	Grains	Velocity fps	Energy Ft. Lbs
Accuracy Load	Tite Group	4.1	1050	304
Hunting Load	3N37	6.1	1150	364

Sierra does not recommend MatchKing bullets for hunting applications.



INDICATES MAXIMUM LOAD - USE CAUTION
LOADS LESS THAN MINIMUM CHARGES SHOWN ARE NOT RECOMMENDED.

9MM Luger

S.A.A.M.I. 35,000 PSI

Bullet	Caliber	Weight	Type	C.O.A.L.
#8147	.355"	147 gr	JHP	
#9947	.355"	147 gr	JHP V-Crown	

Powder	Velocity >	850	900	950	975	1000	1025	1050
Bullseye			3.4	3.7				
Titegroup		3.1	3.3					
WST		3.5	3.8					
231		3.5	3.8					
Unique			3.8	4.1	4.2			
BE-86				4.4	4.5	4.7	4.8	
Universal		3.6	4.1	4.6				
Power Pistol					4.7	4.9	5.1	5.3
N340		3.4	3.7					
Auto Pistol		4.5	4.8	5.0				
AA#5		4.7	5.0	5.2				
HS-6		4.7	4.9	5.1				
WSF			3.7	4.0				
CFE Pistol			4.0	4.2	4.3			
3N37			4.7	5.0	5.2			
N350			4.3	4.6	4.7			
AA#7			5.7	5.9	6.2	6.4		
Longshot					4.7	4.9	5.1	
Energy Ft. Lbs		236	264	295	311	326	343	360

Special Load	Powder	Grains	Velocity fps	Energy Ft. Lbs
Accuracy Load	Bullseye	3.7	950	295
Hunting Load	BE-86	4.8	1025	343

Sierra does not recommend MatchKing bullets for hunting applications.



INDICATES MAXIMUM LOAD - USE CAUTION
LOADS LESS THAN MINIMUM CHARGES SHOWN ARE NOT RECOMMENDED.