

380 AUTO (ACP)**Test Specifications:**

Firearm Used: Universal

Barrel Length: 3.75"

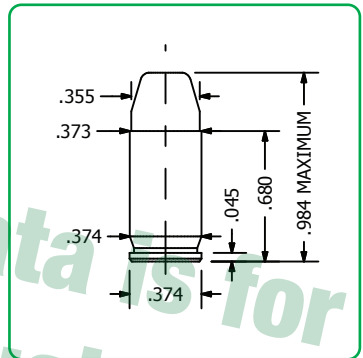
Twist: 1-10"

Components:

Case: Starline

Trim-to Length: 0.675"

Primer: WSP



**Remarks:**

The .380 Auto was introduced in 1908 in the Colt Automatic Pocket Pistol. Like so many other pistols and pistol cartridges introduced around the turn of the century, John M. Browning designed the .380 Auto cartridge and Colt pistol first chambered for it. Although it was first introduced here in the U.S., the .380 has become one of the three most popular cartridges in Europe, where it was actually adopted by several military units. As a result, the cartridge has become known by several different names, such as the .380 ACP, 9mm Browning Short, 9mm Corto, 9mm Kurz or 9x17mm.


The .380 has also been widely used as a European police cartridge, serving as the standard duty round in many agencies. Here in the U.S., much larger cartridges are the norm. The .380 is one of the smallest cartridges generally adequate for self defense work and has been mainly carried as a backup by our police officers. Chambered in a wide variety of small automatic pistols, .380s run the gamut from extremely high quality firearms such as the Walther, Browning, and Beretta, to poorly made pot metal junk. In a well made handgun, the .380 is one of the finest cartridges for blow back pocket pistols. For defensive uses, it is a much better choice than its smaller brethren, the .25 and .32 ACPs.

The .380 is an excellent cartridge and can be reloaded with good results. Sierra offers a good variety of .355" diameter bullets suitable for the .380 Auto. Lighter bullets are best suited to .380's velocity, and best expansion is normally achieved with the 90 grain JHP. For situations requiring deeper penetration, the 95 grain FMJ is a superb choice. All in all, the .380 is a good small game and plinking cartridge, but is also capable of handling the more serious tasks of defensive pistolcraft.



380 AUTO (ACP)

		Bullet Caliber Weight Type							C.O.A.L.
	#8100	.355"	90gr.	JHP					0.930"
	#9990	.355"	90gr.	JHP V-Crown					0.940"
Powder ▾	Velocity >	725	775	825	875	925	975	1000	
Bullseye				2.2	2.4	2.5			
Tite Group				2.2	2.4	2.5			
BE 86					3.2	3.4	3.6	3.7	
N320					2.6	2.8			
Zip		2.7	2.9	3.1	3.2				
Win 231					2.8	3.0			
Unique						2.9	3.1		
Universal	2.8	2.9	3.1	3.2	3.3	3.5	3.6		
Power Pistol					3.4	3.6	3.9	4.0	
True Blue					3.5	3.7			
A#5		3.6	3.8	4.1	4.3				
Auto Comp			3.3	3.4	3.6	3.7	3.8		
CFE Pistol					3.2	3.4	3.6	3.7	
Silhouette		3.4	3.6	3.8	4.0	4.1	4.2		
Energy Ft. Lbs	105	120	136	153	171	190	200		
Special Load	Powder	Grains	Velocity fps	Energy Ft. lb					
Accuracy Load	CFE Pistol	3.7	1000	200					
Hunting Load	BE 86	3.7	1000	200					

380 AUTO (ACP)

		Bullet Caliber Weight Type								C.O.A.L.
		#8105 .355" 95gr. FMJ Match								0.960"
Powder v	Velocity >	775	825	875	925	950	975	1000		
Bullseye				2.5	2.7	2.8				
Tite Group			2.3	2.5	2.6	2.7				
BE 86				3.4	3.6	3.7	3.8	3.9		
N320		2.5	2.6	2.8	2.9	3.0				
Zip		2.8	3.0	3.2	3.3	3.4				
Win 231		2.6	2.8	2.9	3.1	3.2				
Unique			2.8	3.0	3.1	3.2	3.3			
Universal		3.0	3.1	3.3	3.4	3.5	3.6	3.7		
Power Pistol				3.4	3.7	3.8	3.9	4.0		
True Blue				3.6	3.9	4.0				
A#5			4.0	4.3	4.5	4.6	4.7			
Auto Comp			3.3	3.5	3.7	3.8	3.9			
CFE Pistol				3.4	3.6	3.7	3.8			
Silhouette				3.8	4.0	4.1	4.15	4.2		
Energy Ft. Lbs		127	144	161	180	190	200	211		
Special Load	Powder	Grains	Velocity fps	Energy Ft. lb						
Accuracy Load	Auto Comp	3.9	975	200						
Hunting Load	BE 86	3.9	1000	211						

380 AUTO (ACP)

Bullet		Caliber	Weight	Type	C.O.A.L.				
	#8110	.355"	115gr.	JHP	0.970"				
	#8115	.355"	115gr.	FMJ Match	0.984"				
Powder	Velocity	625	675	700	725	750	775	800	
Bullseye		1.7	1.8	1.9	2.0	2.1	2.15	2.2	
Tite Group			1.8	1.9	1.95	2.0	2.1		
BE 86		2.6	2.65	2.7	2.75	2.8	2.85	2.9	
N320			2.0	2.1	2.15	2.2	2.3		
Zip		2.1	2.2	2.3	2.4	2.45	2.5	2.6	
Win 231			2.1	2.2	2.3	2.35	2.4		
Unique				2.2	2.3	2.35	2.4		
Universal		2.4	2.5	2.6	2.65	2.7	2.8	2.8	
Power Pistol				2.7	2.8	2.9	3.0	3.1	
True Blue		2.6	2.8	2.9	3.0	3.1	3.2	3.3	
A#5			3.2	3.3	3.4	3.5	3.6		
Auto Comp					3.0	3.2			
CFE Pistol						2.8	2.9	3.0	
Silhouette				2.9	3.0	3.1	3.15	3.2	
Energy Ft. Lbs		100	116	125	134	144	153	163	
Special Load	Powder	Grains	Velocity fps	Energy Ft. lb					
Accuracy Load	Auto Comp	3.2	750	144					
Hunting Load	Bullseye	2.2	800	163					