

327 FEDERAL MAGNUM

Test Specifications:

Firearm Used: Universal

Barrel Length: 5"

Twist: 1-10"

Components:

Case: Starline

Trim-to Length: 1.190"

Primer: WSPM

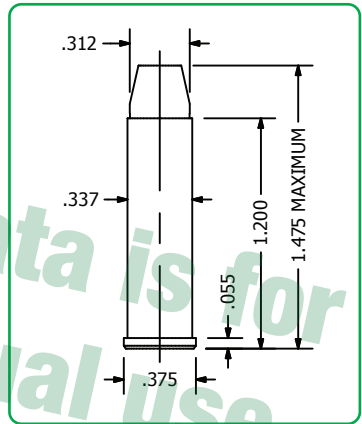
Remarks:

Introduced by Federal Cartridge Company in 1984, the 327 was a lengthened version of the 32 H&R Magnum case. The 327 Federal is able to be loaded to considerably higher pressures. The Max pressure level being 45,000 PSI versus the 21,000 CUP levels reported on the H&R. The greater case capacity and increased pressure limits allow the 327 to reach velocity levels similar to a 357 Remington Magnum. Quite impressive to say the least.


Guns chambered for the 327 Federal have a lot of versatility as they can also fire 4 other 32 caliber cartridges. Those being the 32 S&W, 32 S&W Long, the 32 H&R, and then the semi rimmed 32 ACP cartridge as well.

Given the extra velocity and case capacity, the recoil is somewhat more than that experienced with the 32 H&R, but is still very manageable.

The Sierra #8030 90 grain JHC makes an excellent choice for this workhorse cartridge. This cartridge is not a deer class handgun cartridge, but would be very effective on varmints up to and including the coyote.



327 FEDERAL MAGNUM

Bullet Caliber Weight Type		C.O.A.L.						
	#8030 .312" 90gr. JHC	1.475"						
Powder ∨	Velocity >	1250	1350	1450	1550	1650	1750	1800
Clays		4.7	5.1	5.5				
Bullseye			5.7	6.2	6.7			
Tite Group			5.3	5.8	6.3			
BE 86					7.3	7.8	8.3	
N320		5.1	5.6	6.1				
Win 231			6.1	6.6				
Unique					8.8	9.7		
Universal			6.1	6.6	7.0			
Sport Pistol		5.3	5.8	6.3				
Power Pistol				7.1	7.6	8.1		
N330		5.7	6.2	6.6	7.0			
Herco			8.0	8.7	9.4			
WSF			6.0	6.6	7.1			
True Blue				7.5	8.0	8.6		
A#5					8.4	9.3		
Auto Comp				6.9	7.5			
CFE Pistol			6.1	6.7	7.3			
Win 572				6.9	7.4	8.0		
A#7				9.0	9.5	10.1		
Longshot				7.0	7.6	8.1		
Enforcer			12.1	12.8	13.5	14.2	14.9	
A#9						12.3	13.3	13.8
3N38					8.9	9.9		
H110						15.4	16.4	
Win 296						15.4	16.4	
Energy Ft. Lbs		312	364	420	480	544	612	647
Special Load	Powder	Grains	Velocity fps	Energy Ft. lb				
Accuracy Load	A#5	9.3	1650	544				
Hunting Load	A#9	13.8	1800	647				