

.32 H&R MAG

Test Specifications:

Firearm Used: Ruger SP 101

Barrel Length: 4"

Twist: 1 x 16"

Components:

Case: Starline

Trim-to Length: 1.070"

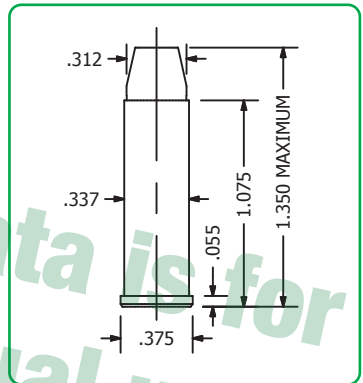
Primer: Winchester WSP

Remarks:


The .32 caliber has always been a popular bore size here in the United States, dating all the way back to a .32 rimfire cartridge introduced during the Civil War. Since that time, there has been a veritable parade of .32 caliber cartridges; the .32 Smith & Wesson and S&W Long, .32 Short and Long Colts, and the .32 Colt New Police to name but a few. Many of these were chambered in weak break-top designs, limiting the power and utility of the .32's chambered in them. However, several .32 caliber cartridges were also chambered in high quality solid frame revolvers, such as Smith & Wesson's K-32, and Colt's Single Action Army. With this type of history, the only real surprise to the introduction of a .32 Magnum is that it took so long. It was not until 1983 that Harrington & Richardson saw the market for a compact, hard hitting little revolver for plinking and small game, and brought out the .32 H&R Magnum. In the tradition of other magnum revolver cartridges, the .32 Mag. is essentially a lengthened, high-pressure version of an existing case; the .32 Smith & Wesson Long.

Sierra brought out the 90 grain Jacketed Hollow Cavity in 1987, specifically for the .32 H&R Magnum. With its Power-Jacket design, the little 90 grain JHC provides reliable expansion at .32 Magnum velocities. Since its introduction the .32 Magnum has steadily gained in popularity, and most U.S. handgun manufacturers have brought out revolvers for the little magnum. In addition, Thompson Center has chambered their incredibly successful Contender single shot for it as well.

The .32 Magnum is a pleasant little cartridge to shoot. It offers mild recoil, a reasonably flat trajectory, and enough punch on the receiving end to make it a good small game and varmint cartridge.



32 H&R MAG

Bullet Caliber Weight Type		C.O.A.L.									
	#8030 .312" 90gr. JHC	1.350"									
Powder ∨	Velocity >	750	800	850	900	950	1000	1050	1100	1150	
Bullseye		2.8	3.0	3.2	3.4						
Red Dot		2.6	2.8	3.1	3.3	3.5					
231		3.1	3.3	3.4	3.6						
A #5			4.6	4.9	5.2	5.4	5.7				
Unique		3.4	3.6	3.8	4.0	4.1	4.3	4.5			
Univ. Clays						3.7	4.0	4.3	4.6		
Power Pistol				3.8	4.1	4.4	4.7	5.0			
HS 6		4.4	4.7	4.9	5.2	5.5	5.7	6.0			
Silhouette		4.0	4.2	4.5	4.7	5.0	5.2	5.4	5.7	5.9	
Viht N340				3.8	4.0	4.2	4.4	4.5	4.7	4.9	
540				4.9	5.2	5.5	5.8	6.1	6.4		
Herco								4.3	4.8	5.3	
WSF				4.1	4.3	4.6	4.8	5.0	5.3	5.5	
SR4756		3.6	3.9	4.1	4.4	4.7	4.9	5.2			
Viht 3N37					4.9	5.1	5.3	5.6	5.8	6.0	
A #7			5.3	5.7	6.0	6.4					
True Blue					4.9	5.2	5.5	5.9	6.2	6.5	
Blue Dot		5.0	5.3	5.6	5.8	6.1	6.4				
A #9					6.5	6.9	7.4	7.8			
Viht N110					7.5	8.3	9.0				
Energy Ft. lbs		112	128	144	162	180	200	220	241	264	
Special Load	Powder	Grains		Velocity fps		Energy Ft. lb					
Accuracy Load	Viht N110	9.0		1000		200					
Hunting Load	Herco	4.8		1100		241					