

32 ACP

Test Specifications:

Firearm Used: Walther Model PP

Barrel Length: 3.86"

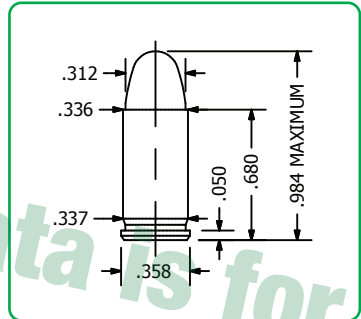
Twist: 1 x 16"

Components:

Case: Winchester

Trim-to Length: 0.675"

Primer: CCI-500




Remarks:

John Browning designed the 32 ACP around 1899 for his first successful automatic pistol. Like its cousins, the 25 and 38 ACP's, the 32 is of semi-rimmed design and headspaces on the rim. The 32 ACP has served throughout Europe as both a military and police cartridge, where it is better known as the 7.65mm Browning. It is only fair to mention that in many of the countries where the 32 was carried as a military cartridge, officers carried handguns more as a badge of rank than for their combat effectiveness. Practicality has won out on the modern battlefield, and the 32 has been replaced in most armies by the ubiquitous 9mm Parabellum. Largely as a result of its service as a military and police round, the 32 ACP has been chambered in a number of small, but very high-quality handguns. At one time or another, pistols for the 32 have been manufactured by Walther, Mauser, Fabrique Nationale, Colt, Smith & Wesson, and a host of others.

Like the 25 ACP, the 32 is very sensitive to small variations in charge weight. Bullet selection for the 32 ACP is limited to the 71 grain FMJ. Although the diameter is correct, Sierra's 90 grain JHC is intended for the more powerful 32 H&R Magnum. Consequently, it is too heavy to achieve sufficient velocity to assure expansion in the 32 ACP. Like most automatic pistol cartridges, the 32 ACP is best served by a slight taper crimp.

We have found 32 ACP handguns that varied from .308" to .314" in groove diameter. Considering the vast number of firms that have chambered pistols for this cartridge, this is hardly surprising. If there is any question as to a particular handgun, we suggest that it be slugged by a competent gunsmith before handloading. The 32 is a good cartridge for plinking and short-range small game, but is marginal as a self-defense cartridge.

32 ACP

Bullet		Caliber	Weight	Type	C.O.A.L.				
	#8010	.312"	71gr.	FMJ	0.978"				
Powder	Velocity	600	650	700	750	800	850	900	
Bullseye		1.5	1.7	1.9	2.0	2.1	2.2	2.3	
231				1.9	2.1	2.2	2.3	2.4	
HP-38				1.6	1.9	2.1	2.3	2.5	
Red Dot			1.6	1.8	2.0	2.1	2.2	2.3	
700X				1.6	1.8	1.9	2.0	2.1	
Unique		2.0	2.2	2.3	2.4	2.5	2.6	2.7	
Energy Ft. lbs		57	67	77	89	101	114	128	
Special Load	Powder	Grains	Velocity fps	Energy Ft. lb					
Accuracy Load	HP-38	2.3	850	114					
Hunting Load	Unique	2.7	900	128					

Do not edit or
redistribute.