

7.62 x 25mm

Test Specifications:

Firearm Used: CZ Model Vz52

Barrel Length: 4.8"

Twist: 1 x 12.2"

Components:

Case: Starline

Trim-to Length: 0.979"

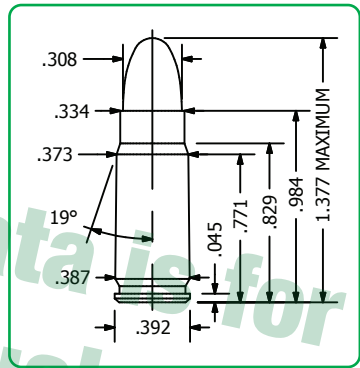
Primer: WSP

Remarks:


Our test pistol was a recently imported Czechoslovakian Vz52, a standard Czech service weapon from 1952 to 1983. While by no means the finest military sidearm ever fielded, the Vz52 is certainly one of the most unique. Utilizing a roller locking system similar to that still used in the H&K series of semi automatic and selective fire rifles, the Vz52 is an extremely strong pistol. Reloads developed for pistols using less robust locking systems must be reduced drastically for safety reasons. In recoil operated pistols, such as the Tokarev, starting loads shown should be considered maximum.

Cases for the 7.62x25mm are best made from the 9mm Winchester Magnum. Unfortunately, the 9mm Winchester Magnum is an uncommon case, and not readily available itself. Some sources have recommended 38 Special cases as a candidate for conversion, but this will involve turning off the rim in a lathe, and cutting a new extractor groove. Another case that is often used in this conversion is the 223 Remington. The head of the 223 is about .016" smaller than that of the 7.62x25mm, and will show a pronounced bulge above the extractor groove upon firing. Loads used in cases made from 223 brass should be reduced accordingly. At present, the 9mm Magnum remains the best, and probably most satisfactory, option. Regardless of which case is used, neck wall thickness must be checked closely and reamed as necessary to give sufficient neck clearance.

Reloading is frequently the only way to put a foreign or obsolete military weapon back into service. This requires an extreme amount of caution though, and is not recommended for the novice handloader. Considering the variations that may be encountered, as well as the many years of rough service and sometimes dubious maintenance, a good dose of common sense needs to be applied when reloading this type of firearm.



7.62 x 25mm

Bullet Caliber Weight Type		C.O.A.L.								
	#8005 .308" 85gr. RN	1.350"								
Powder ∨	Velocity >	1200	1250	1300	1350	1400	1450	1500	1550	
A #5		6.6	6.8	7.0	7.2					
WSL			5.0	5.4	5.8					
Unique		5.4	5.8	6.2	6.6					
Univ. Clays		5.4	5.7	6.0	6.3	6.6	6.9			
HS 6		6.8	7.1	7.4	7.7	8.0	8.3	8.6	8.9	
Power Pistol		6.1	6.4	6.7	7.0	7.3	7.6	7.9		
WAP		6.1	6.4	6.7	7.0	7.3	7.6	7.9		
Viht N340					5.8	6.3	6.8	7.3	7.8	
WW 540		7.0	7.3	7.6	7.9	8.2	8.5	8.8	9.1	
Herco		5.8	6.1	6.4	6.7	7.0	7.3			
Vith 3N37			6.2	6.6	7.0	7.4	7.8	8.2		
800X		6.0	6.2	6.5	6.7	7.0	7.2	7.5		
A #7			8.5	8.8	9.1	9.4	9.7	10.0		
Energy Ft. lbs		272	295	319	344	370	397	425	453	
Special Load	Powder	Grains	Velocity fps	Energy Ft. lb						
Accuracy Load	Viht N340	7.3	1500	425						
Hunting Load	Power Pistol	7.9	1550	453						