

30 CARBINE

Test Specifications:

Firearm Used: Ruger Blackhawk

Barrel Length: 7 1/2"

Twist: 1 x 20"

Components:

Case: LC54

Trim-to Length: 1.285"

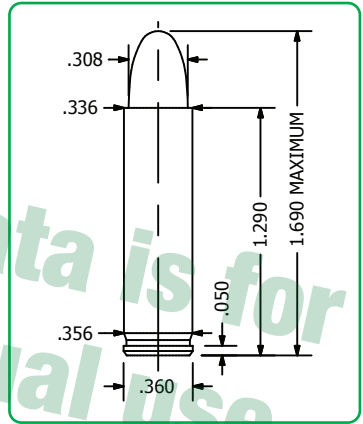
Primer: Remington 6 1/2

Remarks:




The 30 M1 carbine was developed in 1941 to replace the M1911A1 45 ACP for troops who needed more firepower than the pistol afforded, but required a more compact weapon than the M1 Garand. Many years later, the 30 Carbine cartridge came full circle and was chambered in handguns. The rimless case makes it a poor choice for double action revolvers. It is not, however, a handicap for single actions using ejector rods. Ruger was quick to see the potential of the 30 Carbine and chambered their Blackhawk for it in 1968. It is, of course, eminently well suited to automatics, such as the IAI or the long since defunct Wolverine. Thompson/Center also chambered the popular Contender single shot in 30 Carbine. Loading data for this combination is covered separately, since data for the Contender varies from that shot in a revolver.

Like any high pressure cartridge used in a relatively short barreled handgun, the 30 Carbine has a vicious muzzle blast. With the lightweight 110 grain bullets normally used in this cartridge, recoil is not really an issue. The cartridge is not potent enough to reliably take deer, even in a rifle, but does make an outstanding varmint round in a pistol.

Our Ruger test pistol had tight chambers, and not all sizing dies would adequately resize cases to permit easy chambering. Since the 30 Carbine headspaces on the case mouth, case length is critical to proper ignition. Ignition problems can be avoided by trimming all cases to a maximum length of 1.285". We also recommend that a slight taper crimp be applied after the bullet has been seated. In short, the 30 Carbine needs to be treated like any other straightwall pistol cartridge. Despite the fact that the cartridge is to be used in a handgun, the 30 Carbine must be loaded with small rifle primers. This will preclude any potential problems relating to pierced primers or cylinder lock up.



30 CARBINE

	Bullet	Caliber	Weight	Type	C.O.A.L.
	#2100	.308"	110gr.	RN	1.690"
	#2105	.308"	110gr.	FMJ	1.690"
	#2110	.308"	110gr.	HP	1.690"

Powder	Velocity	1200	1250	1300	1350	1400	1450
Unique	6.8	7.1	7.3	7.5			
Herco	7.7	8.2	8.7	9.2	9.7	10.2	
SR4756	7.0	7.8	8.6	9.3			
2400		12.6	13.0	13.4	13.8	14.2	
H110			12.2	13.0	13.8	14.6	
IMR 4227			14.2	14.6	14.9	15.2	
Energy Ft. lbs		352	382	413	445	479	513

Special Load	Powder	Grains	Velocity fps	Energy Ft. lb
Accuracy Load	IMR 4227	14.9	1400	479
Hunting Load	IMR 4227	14.9	1400	479