

75 ACP

Test Specifications:

Firearm Used: Beretta Model 20

Barrel Length: 2.375"

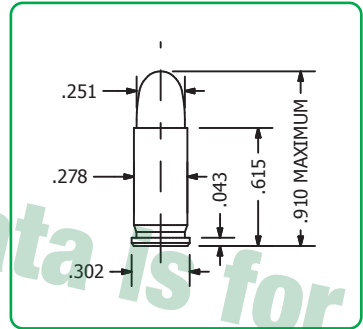
Twist: 1 x 10"

Components:

Case: Winchester

Trim-to Length: 0.610"

Primer: CCI-500




Remarks:

Also known as the 6.35mm Browning, the 25 Auto arrived in the United States in 1908. The cartridge had actually been introduced in Europe around 1902 in Fabrique Nationale's "Baby Browning" pocket pistol. As the name implies, both gun and cartridge are products of the fertile mind of John M. Browning. Here in the United States, the 25 ACP is regarded as underpowered for most defensive uses, but has remained a popular cartridge nonetheless. Much of this popularity can undoubtedly be attributed to the diminutive weapons chambered for it.

Producing energy levels slightly less than the 22 Long Rifle cartridge, the effectiveness of the 25 ACP has been the subject of long-standing debate. Although the ballistic performance of the two are similar, the 25 seems to have an edge in one very important area; reliability. The semi-rimmed design of the 25 ACP often gives greater functional reliability than the rimmed 22 L.R. cartridge. Consequently, the 25 is still a common choice among police officers as a backup gun.

The 25 ACP is not a commonly reloaded pistol cartridge, but it can be done. Rather than the .257" diameter bullets used in 25 caliber rifles, the 25 ACP requires a bullet diameter of .251". Sierra offers a 50 grain FMJ designed for the 25 Auto. Reloading for the 25 Auto can be a trying experience. The small cases and bullets can result in pinched fingers during bullet seating operations. Given the minuscule case capacity available, the 25 ACP requires very fast-burning powder for best results. Alliant Bullseye has been a standard powder for this cartridge ever since its introduction, and remains an excellent choice today. Like any small-capacity case, minute variations in charge weight can give wildly erratic results. With its obvious limitations, the 25 ACP is best reserved for plinking, or other short-range recreational pursuits.

25 ACP

Bullet Caliber Weight Type		C.O.A.L.						
	#8000 .251" 50gr. FMJ	0.900"						
Powder ∨	Velocity >	550	600	650	700	750	800	850
Bullseye		0.9	1.0	1.1	1.2	1.3	1.4	
231		1.0	1.1	1.2	1.3	1.4	1.5	1.6
HP-38			0.8	0.9	1.0	1.1	1.2	1.3
Red Dot			0.9	1.0	1.1	1.2	1.3	
700X			0.8	0.9	1.0	1.1	1.2	
Unique			1.1	1.3	1.4	1.5	1.6	
Energy Ft. lbs		34	40	47	54	62	71	80
Special Load	Powder	Grains	Velocity fps	Energy Ft. lb				
Accuracy Load	231	1.4	750	62				
INDICATES MAXIMUM LOAD – USE CAUTION								

Do not edit or
redistribute.