

6.5 Grendel

Test Specifications:

Firearm Used: Universal Receiver

Barrel Length: 24"

Twist: 1x8"

Components:

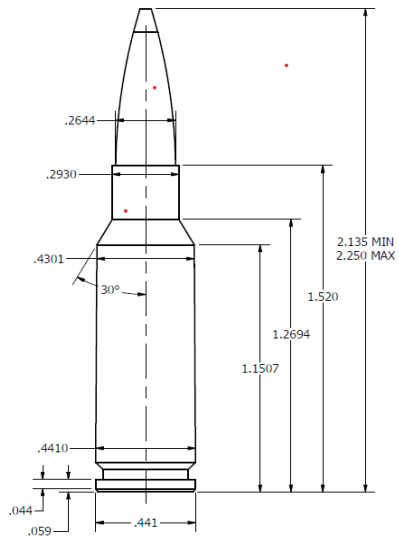
Case: Starline

Trim-to-Length: 1.506"

Primer: Federal 205

Remarks:

American rifle chambered in 6.5 Grendel. The rifle's full-size st



A



INDICATES MAXIMUM LOAD - USE CAUTION
LOADS LESS THAN MINIMUM CHARGES SHOWN ARE NOT

©D.

6.5 Grendel Bolt Gun**-62,000 P.S.I**

Bullet	Caliber	Weight	Type	C.O.A.L.
#1711	0.264	100	HPBT	2.135"
#1710	0.264	100	HP	2.135"

Powder	Velocity >	2600	2650	2700	2800	2850	2900	2975
R-10X			25.9	26.4	27.4	27.9	28.7	
Benchmark			28.0	28.5	29.6	30.1	31.0	
H 335				29.0	30.1	30.7	31.3	32.1
X-terminator				28.5	29.7	30.3	30.9	31.7
A 2460	28.0	28.6	29.2	30.4	31.0	31.0		
IMR 8208xbr	27.6	28.1	28.6	29.6	30.1	30.5		
Tac			29.4	30.6	31.1	31.7	32.6	
SW Tactical Rifle				30.0	30.6	31.2	32.3	
N 135	27.0	27.6	28.2	29.2				
A 2520		29.8	30.3	31.5	32.0	32.7		
Energy Ft. Lbs		1501	1559	1619	1741	1803	1867	1965

Special Load	Powder	Grains	Velocity fps	Energy Ft. Lbs
Accuracy Load	N 135	29	2725	1649
Hunting Load	H 335	31.7	2939	1918

Sierra does not recommend MatchKing bullets for hunting applications.



INDICATES MAXIMUM LOAD - USE CAUTION
LOADS LESS THAN MINIMUM CHARGES SHOWN ARE NOT RECOMMENDED.

6.5 Grendel Bolt Gun**-62,000 P.S.I**

Bullet	Caliber	Weight	Type	C.O.A.L.
#1785	0.264	105	BK	2.245"
#1715	0.264	107	HPBT Match	2.260"
#7407	0.264	107	TMK	2.260"

Powder	Velocity >	2550	2650	2750	2800	2850	2900	2950
Benchmark		27.1	28.2	29.3	29.8	30.3		
X-Terminator				29.6	30.2	30.8	31.3	31.9
IMR 8208xbr			28.3	29.4	29.9	30.3		
Tac			28.8	30.0	30.6	31.2	32.0	
SW Tactical Rifle				29.9	30.5	31.1	31.6	32.4
N 135	26.8	28.0	29.3					
A 2520		30.4	31.5	32.1	32.7			
N 540	28.6	29.6	30.6	31.1	31.6			
Energy Ft. Lbs		1545	1668	1797	1863	1930	1998	2067

Special Load	Powder	Grains	Velocity fps	Energy Ft. Lbs
Accuracy Load	X-Terminator	31.3	2896	1992
Hunting Load	Tac	31.8	2898	1995

Sierra does not recommend MatchKing bullets for hunting applications.



INDICATES MAXIMUM LOAD - USE CAUTION
LOADS LESS THAN MINIMUM CHARGES SHOWN ARE NOT RECOMMENDED.

6.5 Grendel Bolt Gun

-62,000 P.S.I

Bullet	Caliber	Weight	Type	C.O.A.L.
#4320	0.264	120gr.	TGK	2.245"

Powder	Velocity >	2500	2550	2600	2650	2700	2750	2800
Benchmark		26.7	27.3	27.9	28.3			
H 335		27.1	27.7	28.3	29.1			
H 4895		26.9	27.4	28.0	28.6	28.9		
IMR 8208xbr		27.3	27.8	28.4	29.0	29.3		
Ar Comp		26.6	27.2	27.7	28.4			
Tac		27.9	28.5	29.2	29.8	30.4	31.0	
SW Tactical Rifle		27.6	28.2	28.8	29.3	29.7		
A 2520			29.2	29.9	30.5	31.2	31.9	
N 540	28.2		28.8	29.3	29.9			
CFE 223			29.8	30.4	31.1	31.7	32.4	
SW Match Rifle			29.5	30.0	30.5	31.1	32.2	

Energy Ft. Lbs

Special Load	Powder	Grains	Velocity fps	Energy Ft. Lbs
Accuracy Load	AR Comp	28.1	2631	
Hunting Load	CFE 223	32.1	2726	

Sierra does not recommend MatchKing bullets for hunting applications.



INDICATES MAXIMUM LOAD - USE CAUTION
LOADS LESS THAN MINIMUM CHARGES SHOWN ARE NOT RECOMMENDED.

6.5 Grendel Bolt Gun -62,000 P.S.I

Bullet	Caliber	Weight	Type	C.O.A.L.
#1720	0.264	120gr.	SPT	2.135"
#1725	0.264	120gr.	HPBT Match	2.240"

Powder	Velocity >	2450	2500	2550	2600	2650	2700	2750
Benchmark		26.8	27.4	28.0	28.6	29.3		
H 335		27.4	28.1	28.8	29.4	29.8		
X-Terminator		26.9	27.6	28.2	28.8	29.1		
A 2460		27.9	28.6	29.2	29.9	30.4		
IMR 8208xbr		26.9	27.6	28.2	28.8			
Ar Comp		26.1	26.8	27.4	28.1			
Tac			28.3	28.9	29.5	30.0	30.6	30.9
SW Tactical Rifle		27.4	28.0	28.6	29.3	29.9	30.2	
A 2520			29.5	29.7	30.4	31.0	31.6	32.2
N 540		28.0	28.6	29.3				
CFE 223			29.5	30.2	31.0	31.7	32.3	

Energy Ft. Lbs

Special Load	Powder	Grains	Velocity fps	Energy Ft. Lbs
Accuracy Load	AR Comp	28.0	2589	
Hunting Load				

Sierra does not recommend MatchKing bullets for hunting applications.



INDICATES MAXIMUM LOAD - USE CAUTION
LOADS LESS THAN MINIMUM CHARGES SHOWN ARE NOT RECOMMENDED.

6.5 Grendel Bolt Gun -62,000 P.S.I

Bullet	Caliber	Weight	Type	C.O.A.L.
#1727	0.264	123	HPBT Match	2.260"

Powder	Velocity >	2450	2500	2550	2600	2650	2700	2750
Benchmark		26.6	27.2	27.9	28.5	29.1		
H 335			27.4	28.0	28.6	29.2	29.8	
IMR 8208xbr		26.7	27.3	27.9	28.5	29.0		
AR Comp		26.3	27.0	27.7	28.4	29.0		
SW Tactical Rifle			27.9	28.5	29.1	29.8	30.4	
Tac			28.1	28.7	29.3	30.0	30.7	
A 2520				30.2	30.8	31.4	32.0	32.9
Varget	28.3	28.9	29.5	30.1	30.7	31.2	31.8	32.4
Staball Match	28.9	29.6	30.3	31.0	31.7	32.4	33.1	33.8
N 540	27.8	28.4	28.9	29.5	30.1	30.7	31.3	31.9
CFE 223		29.8	30.4	31.1	31.8	32.5	33.2	33.9
SW Match			29.6	30.1	30.7	31.3	31.9	32.5
Energy Ft. Lbs		1639	1707	1776	1846	1918	1991	2065

Special Load	Powder	Grains	Velocity fps	Energy Ft. Lbs
Accuracy Load	Benchmark	28.3	2582	1821
Hunting Load	A 2520	31.5	2658	1929

Sierra does not recommend MatchKing bullets for hunting applications.



INDICATES MAXIMUM LOAD - USE CAUTION
LOADS LESS THAN MINIMUM CHARGES SHOWN ARE NOT RECOMMENDED.

6.5 Grendel Bolt Gun -62,000 P.S.I

Bullet	Caliber	Weight	Type	C.O.A.L.
#1728	0.264	130gr.	HPBT	2.135"
#7430	0.264	130gr.	TMK Match	2.260"*
#1729	0.264	130gr.	HPBT-CN Match	2.245"*
#4330	0.264	130gr.	TGK	2.260"*

* - requires a 1 x 8" twist rate or faster.

Powder	Velocity >	2300	2350	2400	2450	2500	2550	2600
Benchmark		24.8	25.5	26.1	26.7	27.2		
H 335		25.5	26.1	26.8	27.4	28.2		
A 2460			26.5	27.1	27.7	28.4	29.0	
IMR 8208xbr		25.0	25.6	26.3	26.9	27.4		
Tac				27.0	27.6	28.2	28.8	29.3
SW Tactical Rifle		25.7	26.3	26.9	27.5	28.3		
A 2520				27.5	28.1	28.8	29.4	30.1
Staball Match				28.3	29.0	29.6	30.2	30.5
N 540		25.8	26.4	26.9	27.5	27.9		
CFE 223				28.1	28.8	29.6	30.3	30.8
SW Match				28.0	28.6	29.2	29.8	30.7
Energy Ft. Lbs		1527	1594	1663	1733	1804	1877	1951

Special Load	Powder	Grains	Velocity fps	Energy Ft. Lbs
Accuracy Load	Benchmark	27.3	2495	1797
Hunting Load	A 2460	28.8	2535	1855

Sierra does not recommend MatchKing bullets for hunting applications.



INDICATES MAXIMUM LOAD - USE CAUTION
LOADS LESS THAN MINIMUM CHARGES SHOWN ARE NOT RECOMMENDED.

6.5 Grendel Gas Gun**-52,000 P.S.I**

Bullet	Caliber	Weight	Type	C.O.A.L.
#1711	0.264	100	HPBT	2.135"
#1710	0.264	100	HP	2.135"

Powder	Velocity >	2650	2700	2750	2775	2800	2850	2900
R-10x		25.9	26.4	26.9	27.0			
Benchmark			28.5	29.0	29.3	29.7		
H 335		28.5	29.0	29.6	29.9			
X-Terminator			28.5	29.1	29.4	29.5		
A 2460			29.2	29.8	30.1	30.4	30.8	
IMR 8208xbr			28.6	29.1	29.4	29.7		
AR Comp			27.8	28.5	28.7			
Tac				30.0	30.3	30.6	31.1	31.4
SW Tactical Rifle				29.4	29.7	30.0	30.4	
N 135		27.6	28.2	28.8				
A 2520				30.9	31.2	31.5	32.0	32.4
Energy Ft. Lbs		1559	1619	1679	1710	1741	1803	1867

Special Load	Powder	Grains	Velocity fps	Energy Ft. Lbs
Accuracy Load	AR Comp	28.5	2753	1683
Hunting Load	Tac	31.1	2850	1803

Sierra does not recommend MatchKing bullets for hunting applications.



INDICATES MAXIMUM LOAD - USE CAUTION
LOADS LESS THAN MINIMUM CHARGES SHOWN ARE NOT RECOMMENDED.

6.5 Grendel Gas Gun**-52,000 P.S.I**

Bullet	Caliber	Weight	Type	C.O.A.L.
#1785	0.264	105	BK	2.245"
#1715	0.264	107	HPBT Match	2.260"
#7407	0.264	107	TMK	2.260"

Powder	Velocity >	2550	2600	2650	2700	2750	2800	2850
Benchmark		27.1	27.6	28.2	28.7	29.3		
X-Terminator		27.2	27.8	28.4	29.0	29.3		
IMR 8208xbr		27.3	27.8	28.3	28.8	29.3		
Tac			28.2	28.8	29.4	30.0	30.7	
Sw Tactical Rifle		27.7	28.2	28.8	29.4	29.9	30.3	
N 135		26.8	27.4	28.1				
A 2520			29.8	30.4	31.0	31.5	32.1	32.5
Varget		28.9	29.6					
Staball Match		29.4	29.9	30.5	31.1	32.0		
N 540		28.6	29.1	29.6	30.2			
CFE 223		29.7	30.3	30.9	30.2			
SW Match		29.2	29.7	30.3	30.8	31.3	32.3	
Energy Ft. Lbs		1545	1606	1668	1732	1797	1863	1930

Special Load	Powder	Grains	Velocity fps	Energy Ft. Lbs
Accuracy Load	Benchmark	28.7	2698	1729
Hunting Load	A 2520	32.1	2800	1863

Sierra does not recommend MatchKing bullets for hunting applications.



INDICATES MAXIMUM LOAD - USE CAUTION
LOADS LESS THAN MINIMUM CHARGES SHOWN ARE NOT RECOMMENDED.

6.5 Grendel Gas Gun

-52,000 P.S.I

Bullet	Caliber	Weight	Type	C.O.A.L.
#4320	0.264	120gr.	TGK	2.245"

Powder	Velocity >	2375	2475	2525	2575	2600	2625	2650
Benchmark		25.3	26.5					
H 335		25.7	26.8	27.1				
IMR 8208xbr		25.9	27.0	27.4				
SW Tac Rifle				27.8				
AR Comp			26.5					
Tac					28.8			
H 4895				27.2				
A 2520						29.9		
Staball Match						31.0		
N140			28.7					
N540			28.0					
CFE 223							30.8	
SW Match								30.7
Energy Ft. Lbs		1409	1471	1535	1599	1665	1732	1836

Special Load	Powder	Grains	Velocity fps	Energy Ft. Lbs
Accuracy Load	Tac	28.5	2520	1692
Hunting Load	CFE 223	30.7	2583	1778

Sierra does not recommend MatchKing bullets for hunting applications.



INDICATES MAXIMUM LOAD - USE CAUTION
LOADS LESS THAN MINIMUM CHARGES SHOWN ARE NOT RECOMMENDED.

6.5 Grendel Gas Gun

-52,000 P.S.I

Bullet	Caliber	Weight	Type	C.O.A.L.
#1720	0.264	120gr.	SPT	2.135"
#1725	0.264	120gr.	HPBT Match	2.240"

Powder	Velocity >	2300	2350	2400	2450	2500	2550	2625
Benchmark		24.9	25.5	26.1	26.8	27.4		
H 335		25.5	26.1	26.8	27.7			
X-Terminator		25.1	25.7	26.3	26.9	27.4		
A 2460			26.6	27.2	27.9	28.6	29.0	
IMR 8208xbr		25.1	25.7	26.3	26.9	27.3		
AR Comp		24.1	24.7	25.4	26.1	26.7		
Tac			26.5	27.1	27.7	28.3	28.8	
SW Tactical Rifle		25.1	25.7	26.3	26.9	28.0		
A 2520			27.2	27.8	28.5	29.1	30.1	
N 140		26.8	27.5	28.2	28.6			
Varget			26.8	27.5	28.1	28.8	29.2	
N 540		26.3	26.9	27.4	28.0	28.6		
CFE 223					28.7	29.5	30.2	31.4
Energy Ft. Lbs		1409	1471	1535	1599	1665	1732	1836

Special Load	Powder	Grains	Velocity fps	Energy Ft. Lbs
Accuracy Load	Tac	28.5	2520	1692
Hunting Load	CFE 223	30.7	2583	1778

Sierra does not recommend MatchKing bullets for hunting applications.



INDICATES MAXIMUM LOAD - USE CAUTION
LOADS LESS THAN MINIMUM CHARGES SHOWN ARE NOT RECOMMENDED.

6.5 Grendel Gas Gun

-52,000 P.S.I

Bullet	Caliber	Weight	Type	C.O.A.L.
#1727	0.264	123	HPBT Match	2.260"

Powder	Velocity >	2400	2450	2500	2550	2600	2650	2700
Benchmark		26.0	26.6	27.5				
H 335		26.2	26.8	27.4	27.7			
IMR 8208xbr		26.0	26.7	27.1				
AR Comp		25.6	26.3	26.9				
Tac		26.8	27.4	28.3				
SW Tactical Rifle		26.7	27.3	27.9	28.3			
A 2520		28.3	28.9	29.5	30.2	30.7		
N 140		28.1	28.8	29.2				
Varget		27.8	28.3	29.1				
Staball Match		28.2	28.9	29.6	30.4			
N 540		27.2	27.8	28.0				
CFE 223			29.1	29.8	30.4	31.1	31.8	
SW Match			28.4	29.0	29.6	30.1	30.7	31.2
Energy Ft. Lbs		1639	1707	1776	1846	1918	1991	2065

Special Load	Powder	Grains	Velocity fps	Energy Ft. Lbs
Accuracy Load	N 540	27.6	2435	1580

Sierra does not recommend MatchKing bullets for hunting applications.



INDICATES MAXIMUM LOAD - USE CAUTION
LOADS LESS THAN MINIMUM CHARGES SHOWN ARE NOT RECOMMENDED.

6.5 Grendel Gas Gun

-52,000 P.S.I

Bullet	Caliber	Weight	Type	C.O.A.L.
#1728	0.264	130gr.	HPBT	2.135"
#7430	0.264	130gr.	TMK Match	2.260"*
#1729	0.264	130gr.	HPBT-CN Match	2.245"*
#4330	0.264	130gr.	TGK	2.260"*

* - requires a 1 x 8" twist rate or faster.

Powder	Velocity >	2250	2300	2350	2375	2400	2450	2500
Benchmark			24.8	25.6				
H 335	24.9		25.5	26.1				
A 2460			25.9	26.5	26.9			
IMR 8208xbr			25.0	25.6	25.9			
Tac				26.3	26.6	27.0	27.3	
SW Tactical Rifle			25.7	26.3	26.6			
A 2520					27.2	27.5	28.3	
Staball Match			27.0	27.7	28.0	28.3		
N 540	25.2		25.8	26.4				
CFE 223						28.1	28.8	29.5
SW Match						28.0	28.6	29.3
Energy Ft. Lbs		1461	1527	1594	1628	1663	1733	1804

Special Load	Powder	Grains	Velocity fps	Energy Ft. Lbs
Accuracy Load	Staball Match	27.8	2359	1606
Hunting Load	SW Match	28.9	2475	1768

Sierra does not recommend MatchKing bullets for hunting applications.



INDICATES MAXIMUM LOAD - USE CAUTION
LOADS LESS THAN MINIMUM CHARGES SHOWN ARE NOT RECOMMENDED.